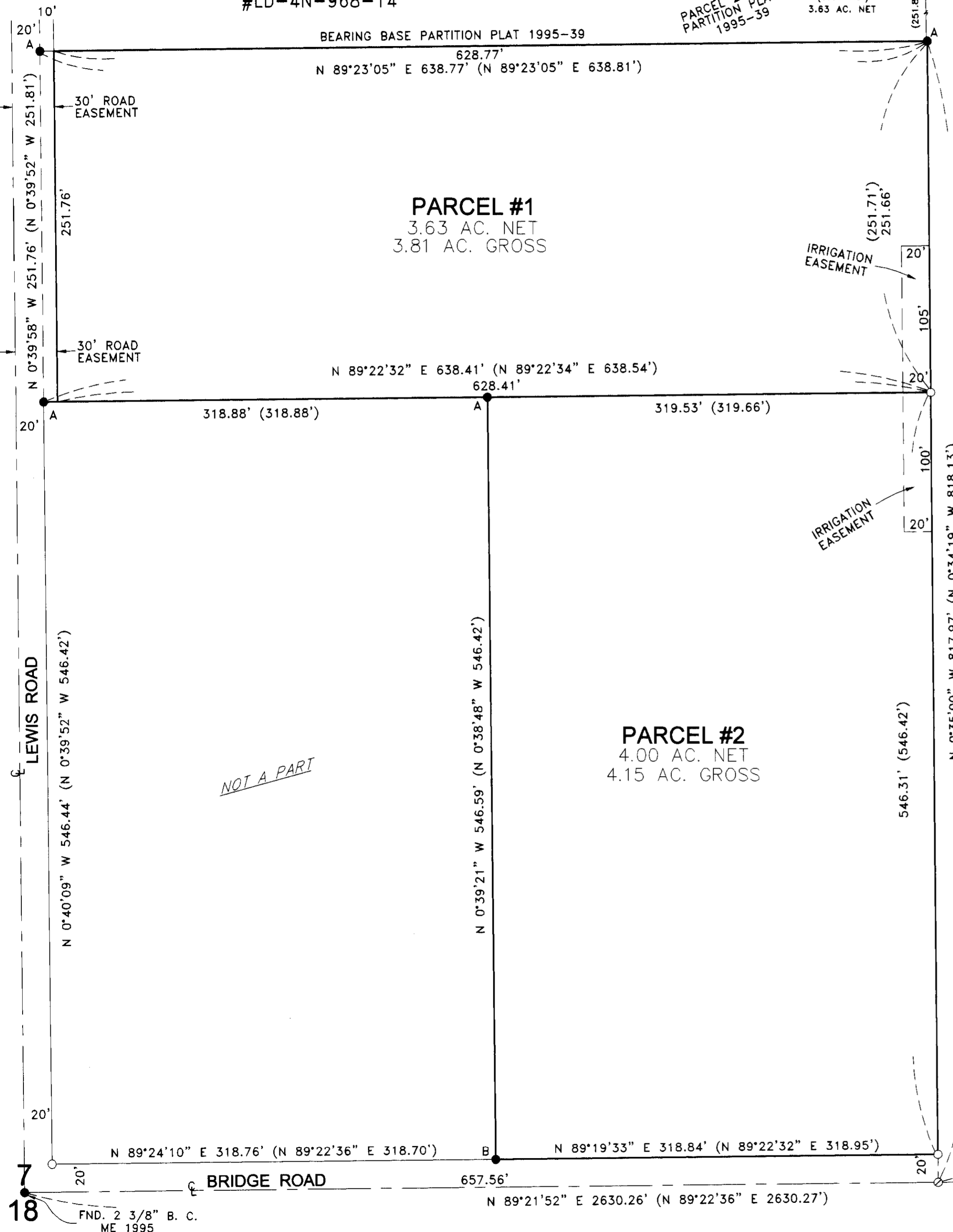


PARTITION PLAT 2014-09

A REPLAT OF PARCEL 3 OF PARTITION PLAT 1995-39, IN THE SW 1/4 OF THE SE 1/4 OF SEC. 7, T 4 N, R 28 E, WM., UMATILLA COUNTY, OREGON #LD-4N-968-14



PARCEL 1 PARTITION PLAT 1995-39 (3.70 AC.) 3.64 AC. NET
SEE NARRATIVE
PARCEL 2 PARTITION PLAT 1995-39 (3.69 AC.) 3.63 AC. NET

SURVEYOR'S NARRATIVE & CERTIFICATE:

I, G. DENNIS EDWARDS, AM A REGISTERED SURVEYOR OF THE STATE OF OREGON AND HAVE MARKED WITH LEGAL MONUMENTS THE LAND SHOWN ON THIS PLAT.
I SURVEYED THIS PARCEL IN PARTITION PLAT 1995-39 AND THE BEARINGS ARE BASED ON THAT PARTITION.
IN THAT 1995 PARTITION PLAT I SET THE MONUMENTS ALONG LEWIS ROAD AT THE 20 FOOT RIGHT OF WAY WHICH WAS IN EXISTENCE AT THAT TIME. AFTER THE MONUMENTS WERE SET THE COUNTY PLANNING DEPARTMENT REQUIRED AN ADDITIONAL 10 FOOT EASEMENT FOR LEWIS ROAD. THE ACREAGE SHOWN ON THAT 1995 PLAT INCLUDED SAID 10 FOOT EASEMENT AND IT SHOULD NOT HAVE. PARCEL 1 SHOULD HAVE BEEN 3.64 ACRES NET, PARCEL 2 SHOULD HAVE BEEN 3.63 ACRES NET AND PARCEL 3 (THIS TRACT) WAS SHOWN AS 7.70 ACRES AND SHOULD HAVE BEEN 7.63 ACRES NET AS SHOWN ON THIS MAP.
I USED A TOPCON HYPER G.P.S. AND A SOCK SET 300 TOTAL STATION TO CONDUCT THIS SURVEY.

REGISTERED PROFESSIONAL LAND SURVEYOR
G. Dennis Edwards
OREGON
JULY 16, 1971
G. DENNIS EDWARDS
9 5 1
RENEWS 12/31/2015

OWNER'S DECLARATION:

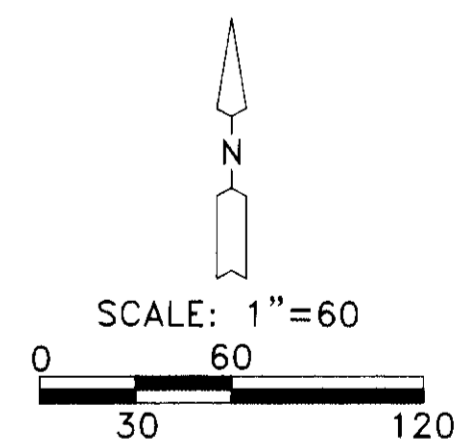
I, THE OWNER OF THE ABOVE DESCRIBED LAND, HEREBY DECLARE THAT I HAVE CAUSED THIS PLAT TO BE PREPARED.
I HEREBY DEDICATE A 20 FOOT IRRIGATION EASEMENT ALONG THE SOUTHERLY PORTION OF THE EAST LINE OF PARCEL 1 AND ALONG THE NORTHERLY PORTION OF THE EAST LINE PARCEL 2, AS SHOWN, FOR THE USE OF BOTH PARCELS.

James D. Kooch
JAMES D. KOOCH, OWNER

STATE OF OREGON }
COUNTY OF UMATILLA }
BEFORE ME THIS 5TH DAY OF NOVEMBER, 2014
APPEARED JAMES D. KOOCH, OWNER AND ACKNOWLEDGED THE FOREGOING DECLARATION.

Steven M. Churchill
NOTARY PUBLIC FOR OREGON
STEVEN M. CHURCHILL
COMMISSION NO. 930500
MY COMMISSION EXPIRES 07-27-2018

RECEIVED BY
Umatilla County Surveyor
Date: 11/21/14
Rec'd By: G. Hensley
No.: 14-143-B



- LEGEND:**
- FOUND MONUMENTS AS NOTED BELOW, UNLESS NOTED OTHERWISE
 - A ● FOUND 5/8" I. REBAR, MY PARTITION PLAT 1995-39
 - B ● FOUND 1/2" I. REBAR, MY 1978 SURVEY FOR HOOCH
 - SET 5/8"X30" IRON REBAR WITH PLASTIC CAP #951
 - ⊙ COMPUTED LOCATION
 - (000) OF RECORD, MY PARTITION PLAT 1995-39

THIS IS AN EXACT COPY: *G. Dennis Edwards*
G. DENNIS EDWARDS

APPROVALS

UMATILLA COUNTY SURVEYOR
APPROVED THIS 12 DAY OF Nov, 2014
David H. Kline
UMATILLA COUNTY SURVEYOR

UMATILLA COUNTY PLANNING DEPARTMENT
APPROVED THIS 17 DAY OF November, 2014
Jeff Mallett
UMATILLA COUNTY PLANNING DIRECTOR

WESTLAND IRRIGATION DISTRICT
APPROVED THIS 17 DAY OF September, 2014
Walter Wick
MANAGER

UMATILLA COUNTY TAX COLLECTOR
PROPERTY TAXES ARE PAID IN FULL.
APPROVED THIS 12 DAY OF Nov, 2014
Bethina Sundt
UMATILLA COUNTY TAX COLLECTOR

JOB S1407039
EDWARDS SURVEYING P.O. BOX 763
541-567-3336 HERMISTON, OREGON 97838
DRAWN BY JMC