

NARRATIVE:

THE PURPOSE OF THIS SURVEY IS LOCATE THE CORNERS OF LOT 3, BLOCK 2 "RIVER VIEW TERRACE", CITY OF UMATILLA, FOR A PENDING SALE SO A HOME CAN BE SITED ON IT.
I RETRACED LAGIER'S ORIGINAL 1980 PLAT TO LOCATE SAID CORNERS. THE NE CORNER WAS FOUND BENT SO I REPLACED IT AT THE SAME LOCATION.

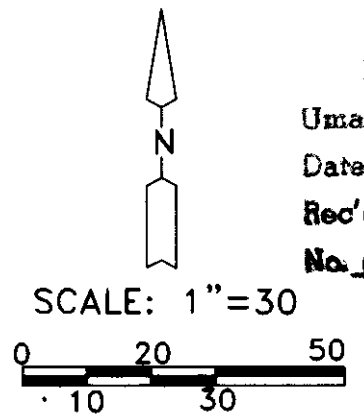
REGISTERED
PROFESSIONAL
LAND SURVEYOR

G. Dennis Edwards

OREGON
JULY 16, 1971
G. DENNIS EDWARDS
9 5 1
RENEWS 12/31/2003

LEGEND:

- FOUND 5/8" IRON REBAR 1980 LAGIER PLAT OF "RIVER VIEW TERRACE"
- SET 5/8"x30" IRON REBAR WITH PLASTIC CAP #951 IN PLACE OF BENT 1980 5/8" IRON REBAR
- ⊙ COMPUTED POINT
- (000) OF RECORD 1980 PLAT OF "RIVER VIEW TERRACE"



RECEIVED BY
Umatilla County Surveyor
Date 3-02
Rec'd By KH
No. 02-55-A

SURVEY FOR ED & STEVE COUSINEAU, %CANDA RATTRAY
IN LOT 3, BLK. 2, "RIVER VIEW TERRACE", CITY OF UMATILLA,
IN SE 1/4, SEC. 18, T 5 N, R 28 E, W.M., UMATILLA COUNTY, OREGON
1/21/2002 JOB# S0102019
EDWARDS SURVEYING P.O. BOX 763
541-567-3336 HERMISTON, OREGON 97838
DRAWN BY NJF

02-55-A