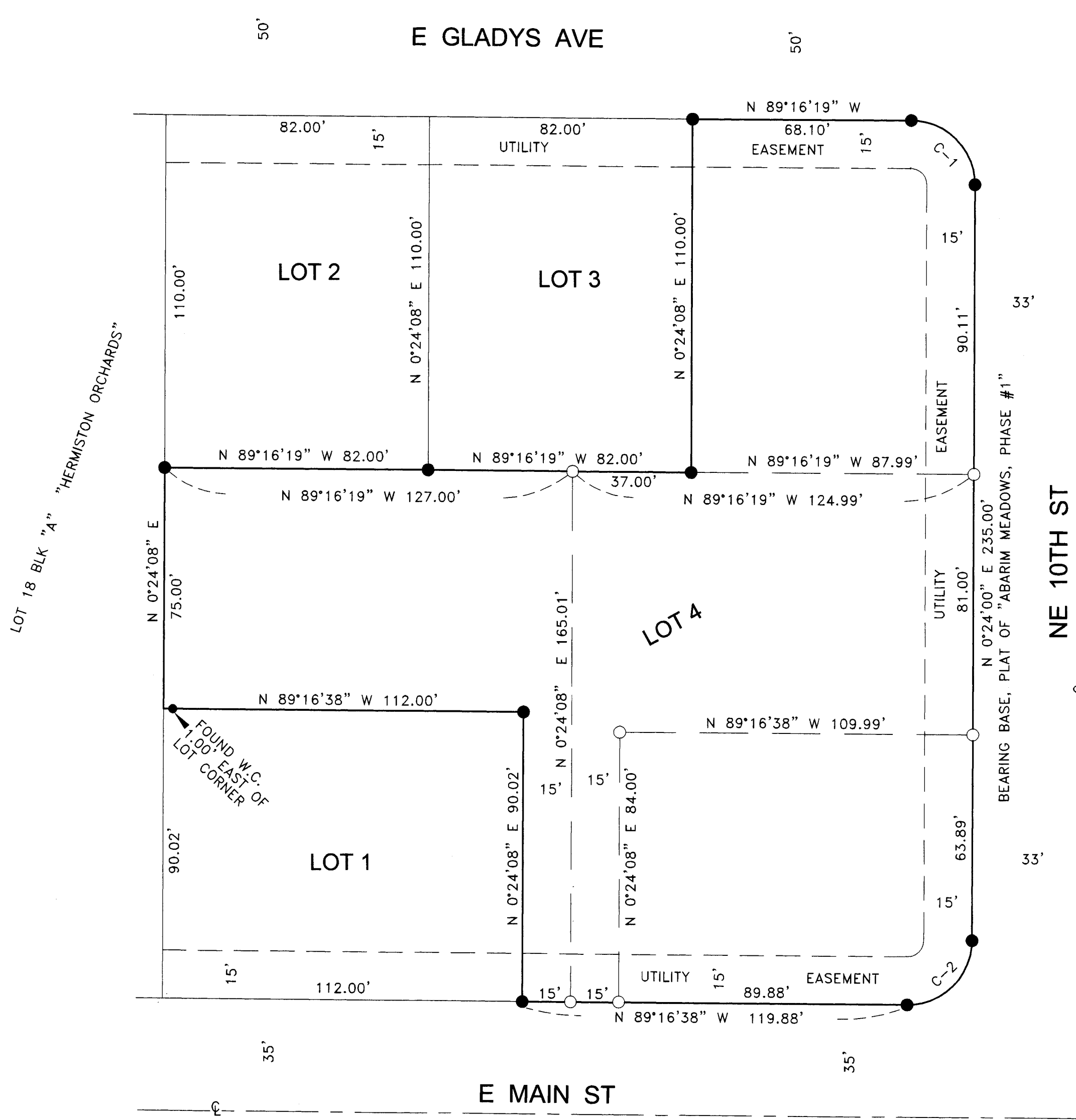


RECORD OF SURVEY

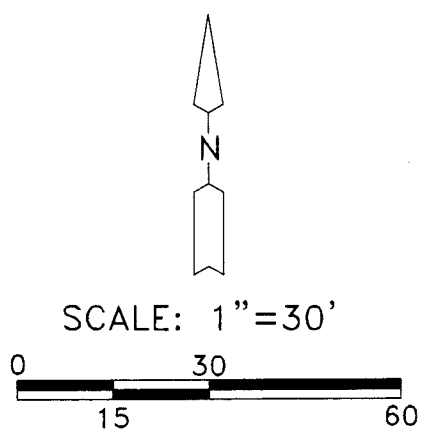
IN LOT 4 OF "ABARIM MEADOWS, PHASE #1"
 IN THE CITY OF HERMISTON, IN THE NE 1/4, SE 1/4,
 SECTION 11, T 4 N, R 28 E, W.M., UMATILLA COUNTY, OREGON



SURVEYOR'S NARRATIVE:

THE PURPOSE OF THIS SURVEY IS TO STAKE SOME PROPOSED LOTS FOR THE POSSIBLE FUTURE REPLAT OF LOT 4 OF "ABARIM MEADOWS PHASE #1".
 WHEN I STARTED THIS PROJECT THE PREVIOUS OWNERS WERE GOING TO SUBDIVIDE THE WHOLE PROPERTY BUT WHEN THEY SOLD PART OF IT TO SILVER RIDGE HOMES, INC. THEY DECIDED TO DEVELOP IT IN TWO PHASES.
 MY LICENSE EXPIRES ON 12/31/2015 AND I WILL NOT BE ABLE TO COMPLETE PHASE 2 OF THIS SUBDIVISION.
 THE DESCRIPTION OF THIS TRACT IS LOT 4, "ABARIM MEADOWS, PHASE #1". THIS PROPERTY IS PART OF LAND DESCRIBED IN A LAND SALE CONTRACT FROM NORTHERN PACIFIC LATIN AMERICAN DISTRICT TO SILVER RIDGE HOMES, INC. RECORDED ON INSTRUMENT 2015-6330458 UMATILLA COUNTY DEED RECORDS.
 I CONDUCTED THIS SURVEY WITH A TOPCON HIPER+ G.P.S. AND A SOKKIA SET 300 TOTAL STATION.

REGISTERED
 PROFESSIONAL
 LAND SURVEYOR
G. Dennis Edwards
 OREGON
 JULY 16, 1971
 G. DENNIS EDWARDS
 9 5 1
 EXPIRES 12/31/2015



CURVE TABLE:

CURVE #	CORD BEARING	RADIUS	ARC LENGTH	DELTA	TANGENT
C-1	N 44°26'10" W 28.20'	20.00'	31.30'	89°40'19"	19.89'
C-2	N 45°33'41" E 28.36'	20.00'	31.53'	90°19'22"	20.11'

- LEGEND:
- FOUND 5/8" IRON REBAR ME 2015 PLAT OF "ABARIM MEADOWS"
 - SET 5/8"x24" OR 30" IRON REBAR WITH PLASTIC CAP #951

RECEIVED BY
 Umatilla County Surveyor
 Date: 12/11/2015
 Rec'd By: *Jay Tolst*
 No.: 15-126-B

SURVEY FOR SILVER RIDGE HOMES, INC.
 JOB# S1304031F 12/01/2015
 EDWARDS SURVEYING P.O. BOX 763
 541-567-3336 HERMISTON, OREGON 97838
 DRAWN BY JMC & GDE