

T4N R28E
14 13
23 24
PLS 953

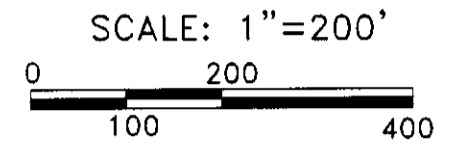
3001
14 13
23 24

3003

3005
T4N R28E
1/4
23-24
1998
LS 951

LEGEND:

- ◆ FOUND MONUMENTS AS NOTED
- PLAT (B) REPLAT OF LOTS 1 & 2, BLK. 1, & ALL OF BLK. 2, HERMISTON PORT-UNIT 1, & LOT 8, BLK. 3, HIGHLANDER CENTER UNIT 2
- PLAT (A) REPLAT OF LOT 2, OF BLK. 2 OF THE REPLAT OF LOT 1 & 2, BLK. 1 & ALL OF BLK. 2, HERMISTON PORT-UNIT 1, & LOT 8, BLK. 3, HIGHLANDER CENTER-UNIT 2



#	TRUE BEARING & DISTANCE	OF RECORD PLAT OR OR COMPUTED FROM PLAT
3010	N 89°38'17" W 2669.10'	N 89°38'17" W 2669.17' HERMISTON PORT-UNIT 1 & PLAT (B)
	S 89°29'15" W 2669.15'	CAMPBELL DRIVE, ADDITION 1 & 2
3005	N 0°12'41" E 2635.68'	N 0°12'53" E NOTHING HERMISTON PORT-UNIT 1
	N 0°39'55" W 2635.59'	CAMPBELL DRIVE, ADDITION 1 & 2
3001	S 4°12'07" E 796.20'	S 4°12'03" E 796.27' SPUDNIK ADDITION
	S 4°11'06" E 796.26'	HIGHLANDER CENTER #1
3002	S 71°43'37" E 1104.42'	S 71°45'53" E 1104.36' HIGHLANDER CENTER #1&2
3013	S 0°58'39" W 1200.29'	S 0°59'23" W 1201.06 HIGHLANDER CENTER #2
3012	N 33°37'16" W 1857.05'	N 33°37'03" W 1857.05' HIGHLANDER CENTER #2
3001	N 59°09'20" E 1207.40'	N 58°16'30" E 1207.66' O'BRIEN'S REPLAT & PLAT (A)
3011	N 89°49'51" W 529.78'	S 89°15'53" W 529.93' O'BRIEN'S REPLAT & PLAT (A)
3016	S 39°14'19" W 801.28'	N 38°21'57" E 801.26' O'BRIEN'S REPLAT & PLAT (A)
3005	N 22°38'12" E 86.48'	N 22°39'10" E 86.46' PLAT (B)
	N 21°46'23" E 86.46'	PLAT (A)
		& "CAMPBELL DRIVE ADD., 1 & 2"
3004	N 0°12'54" E 1002.67'	N 0°39'48" W 1002.63 "CAMPBELL DRIVE ADD., 1 & 2"
3003	S 1°57'37" W 1083.12'	S 1°04'51" W 1083.05' "CAMPBELL DRIVE ADD., 1 & 2"
3005	S 76°36'34" E 489.15'	S 76°36'30" E 489.17' REPLAT OF LOT 1, BLK. 1 HIGHLANDER CENTER #1
3001	S 49°03'07" E 275.01'	S 49°03'51" E 275.03' REPLAT OF LOT 1, BLK. 1 HIGHLANDER CENTER #1
6001	S 59°02'37" E 440.51'	S 59°02'22" E 440.52' SPUDNIK ADDITION
3015	S 49°00'53" E 274.73'	S 49°03'11" E 274.95' SPUDNIK ADDITION
3014		

#	MONUMENT	CORNER	STATE PLANE COORDINATES "NORTH ZONE" NAD 83/91	
			N	E
3010	2 3/8" BRASS CAP	SE COR., BLK. 1 "HERMISTON PORT UNIT, #1" ALSO C 1/4, SEC. 24	784968.631	8518512.033
3005	2 3/8" BRASS CAP	SW COR. "HERMISTON PORT UNIT, #1" ALSO W 1/4, SEC. 24	784944.701	8515843.227
3001	2 3/8" BRASS CAP	NW HIGHLANDER CENTER UNIT #1 ALSO NW COR. SEC. 24	787580.021	8515812.679
3002	5/8" IRON REBAR	NW COR., LOT 6, BLK. "HIGHLANDER CENTER, UNIT 1" ALSO POINT ON SOUTH LINE OF LOT 4, "SPUDNIK ADD."	786786.996	8515883.141
3014	5/8" IRON REBAR PLASTIC CAP EDWARDS	SOUTH COR., LOT 2, BLK. 1, "HIGHLANDER CENTER, UNIT 1" ALSO NE COR., LOT 2 "SPUDNIK ADD."	787182.259	8516403.936
3015	5/8" IRON REBAR	WEST COR., LOT 2, BLK. 1 "HIGHLANDER CENTER, UNIT 1" ALSO SE COR., LOT 1 "SPUDNIK ADD."	787359.243	8516193.833
3013	5/8" IRON REBAR	NE COR., "HIGHLANDER CENTER, UNIT 1" ALSO NW COR., "HIGHLANDER CENTER, UNIT 2"	787249.827	8516866.499
3012	5/8" IRON REBAR	SE COR., LOT 7, BLK. 3, "HIGHLANDER CENTER, UNIT 2", ALSO NE COR., LOT 1, PLAT (B)	786049.623	8516864.362
3003	5/8" IRON REBAR PLASTIC CAP TOMPKINS	SW COR., LOT 2 "CAMPBELL DR. ADD." ALSO NW COR., LOT 2 "CAMPBELL DRIVE 2ND ADD."	786027.548	8515863.728
3004	5/8" IRON REBAR PLASTIC CAP TOMPKINS	INITIAL (SW) COR., "CAMPBELL DRIVE ADD.", ALSO SW COR., BLK. 2 "HERMISTON PORT-UNIT 1"	785025.014	8515875.286
3006	5/8" IRON REBAR PLASTIC CAP TOMPKINS	SOUTHERLY SE COR. OF LOT 3, OF PLAT (A) ALSO THE SOUTHERLY SE COR. OF "CAMPBELL DRIVE ADD."	785028.536	8516267.436
3009	5/8" IRON REBAR	SOUTHERLY SE COR. OF LOT 2, OF PLAT (A) ALSO SOUTHERLY SE COR., LOT 2, OF "O'BRIEN'S REPLAT"	785033.957	8516857.259
3011	5/8" IRON REBAR PLASTIC CAP TOMPKINS	NE COR., LOT 2 OF PLAT (A) ALSO NE COR., LOT 1 OF "O'BRIEN'S REPLAT"	785579.472	8516870.207
3016	5/8" IRON REBAR PLASTIC CAP TOMPKINS	NW COR., LOT 2 OF PLAT (A) ALSO NW COR., LOT 2 OF "O'BRIEN'S REPLAT"	785572.940	8516340.502
6001	5/8" IRON REBAR PLASTIC CAP EDWARDS	SOUTH COR. OF LOT 1 OF REPLAT OF LOT 1, BLK. 1, "HIGHLANDER CENTER-UNIT 1"	787297.003	8516500.606
6002	5/8" IRON REBAR	WEST COR. OF LOT 2 OF REPLAT OF LOT 1, BLK. 1, "HIGHLANDER CENTER-UNIT 1"	787474.038	8516290.180

NARRATIVE:

THIS MAP IS PART OF MY CONTRACT WITH UMATILLA COUNTY TO ESTABLISH NGS STATE PLANE COORDINATES ON TWO MONUMENTS IN EACH SUBDIVISION IN THE CITY OF HERMISTON. THE CONTROL USED WAS SET BY CASWELL IN 1993 FOR THE HERMISTON WATER PROJECT. THEY ARE SHOWN ON THE INDEX MAP. DATA WAS COLLECTED BY REAL TIME KINEMATIC WITH A TOPCON HIPER + G.P.S. SYSTEM. THE OREGON STATE PLANE COORDINATES, NORTH ZONE (3601) (NAD 83/91) ARE LISTED ABOVE. THE COMBINED SCALE FACTOR IS .999931061 AND THETA IS 0° 52' 32" AT POINT # 3012.

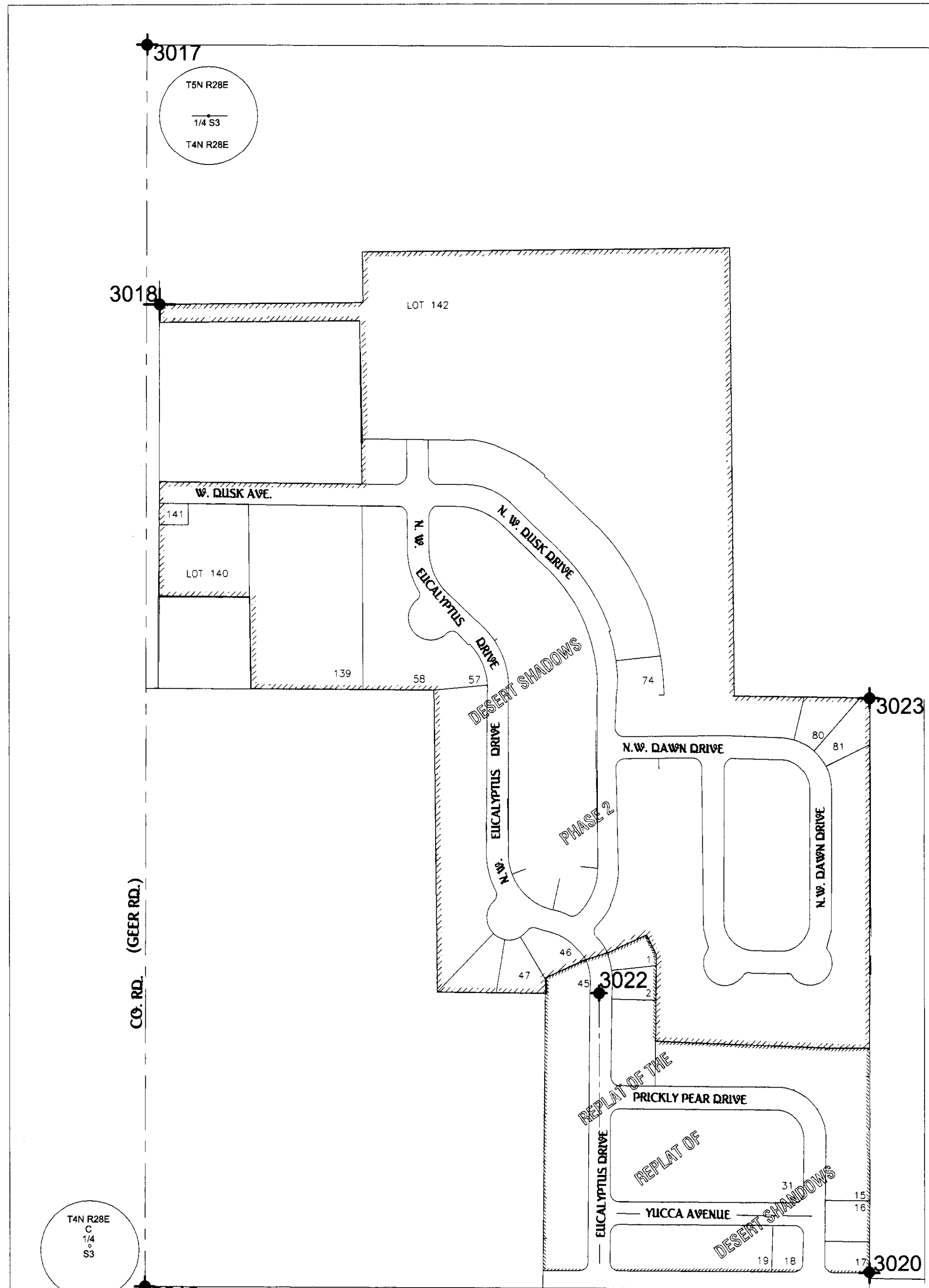
REGISTERED PROFESSIONAL LAND SURVEYOR
G. Dennis Edwards
OREGON
JULY 16, 1971
G. DENNIS EDWARDS
9 5 1
RENEWS 12/31/2005

T4N R28E
C 1/4
S 24
1998
LS 951

SHEET 2 OF 12

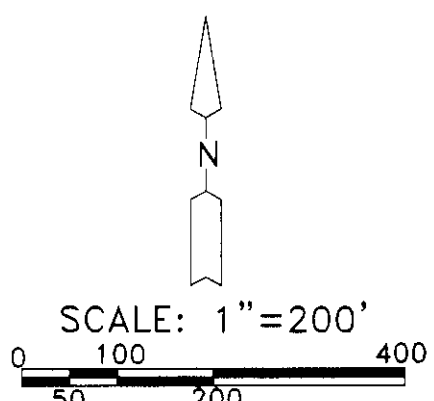
MAP #1
SURVEY FOR UMATILLA COUNTY
IN NW 1/4 SEC. 24, T 4 N, R 28 E, W.M.,
UMATILLA COUNTY, OREGON
6/10/2004 JOB# S0312296
EDWARDS SURVEYING P.O. BOX 763
541-567-3336 HERMISTON, OREGON 97838
DRAWN BY NJF

RECEIVED BY
Umatilla County Surveyor
Date 1-05
Rec'd by KE
No. 00-013-9



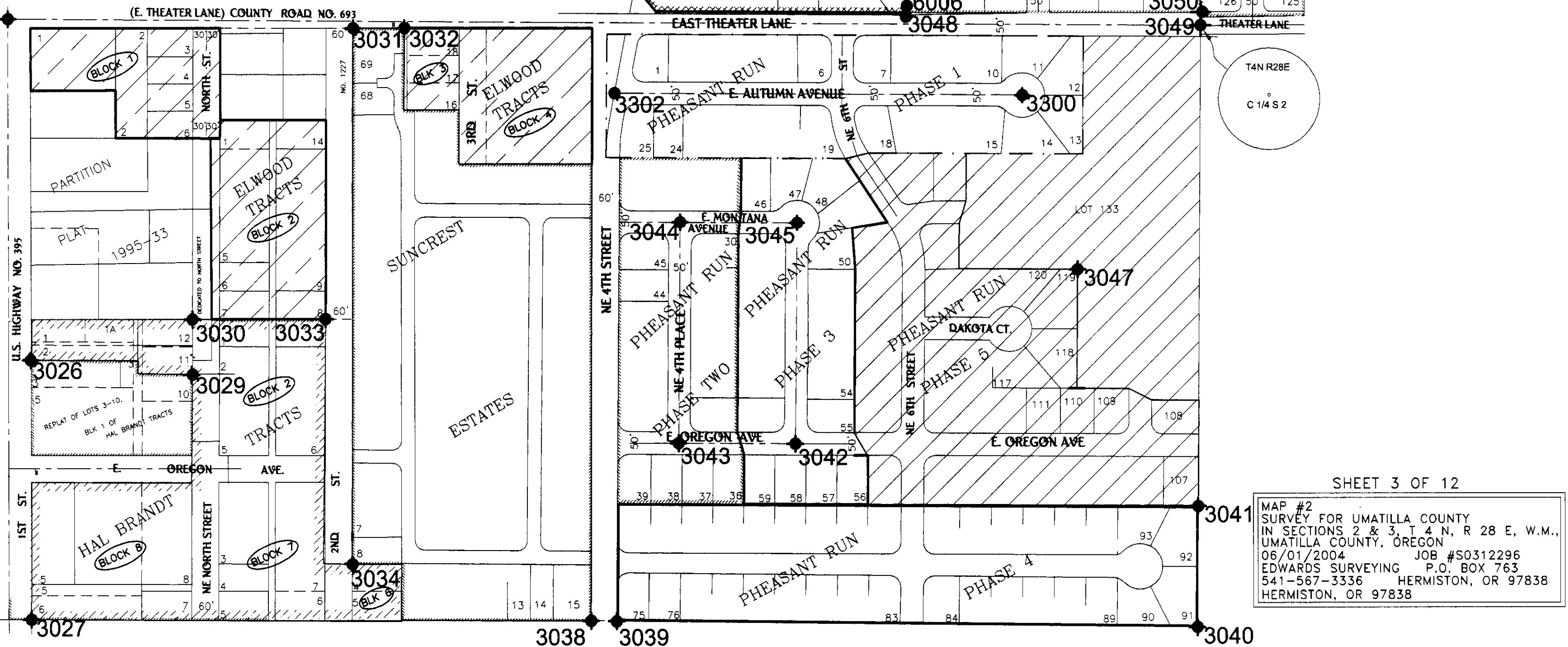
#	MONUMENT	CORNER	STATE PLANE COORDINATES "NORTH ZONE" NAD 83/91 E	3041	5/8" IRON ROD PLASTIC CAP (2017)	NE COR. LOT 92, PHEASANT RUN 4, & SE COR. LOT 107, PHEASANT RUN, PHASE 5	799773.021	8513005.001
3017	2 1/2" BRASS CAP	N 1/4 COR. SEC. 3	803627.715	3042	RAIL ROAD SPIKE	CL N.E. 5TH STREET & CL E. OREGON AVE., PHEASANT RUN, PHASE 3	799900.603	8512112.440
3018	5/8" IRON REBAR PLS 1094	MOST WESTERLY, NORTH WEST COR. OF LOT 142, DESERT SHADOWS PHASE 2	803034.599	3043	5/8" IRON ROD PLASTIC CAP (2017)	CL E. OREGON AVE. & CL N.E. 4TH PLACE, PHEASANT RUN, PHASE TWO	799898.761	8511853.132
3019	2 1/2" BRASS CAP	CTR. 1/4 SEC. 3	800789.759	3044	5/8" IRON ROD PLASTIC CAP (2017)	CL E. MONTANA AVE. & CL N.E. 4TH PLACE, PHEASANT RUN, PHASE TWO	800385.595	8511850.378
3020	5/8" IRON REBAR IN 2" PIPE.	SE COR. LOT 17, REPLAT OF REPLAT, DESERT SHADOWS INITIAL POINT	800845.235	3045	RAIL ROAD SPIKE	CL N.E. 5TH STREET & CL E. OREGON AVE., PHEASANT RUN, PHASE 3	800387.452	8512109.672
3022	5/8" IRON REBAR PLASTIC CAP STRATTON 1111	P.C. EUCALYPTUS DR. REPLAT OF REPLAT, DESERT SHADOWS	801475.238	3047	5/8" IRON ROD PLASTIC CAP (2017)	NE COR. LOT 119, PHEASANT RUN, PHASE 5	800292.151	8512732.221
3023	5/8" IRON REBAR PLS 1094	NE COR. LOT 81 DESERT SHADOWS PHASE 2	802132.456	3048	5/8" IRON ROD PLASTIC CAP (2017)	SE COR. LOT 6, QUAIL RIDGE	800854.017	8512340.053
3024	2 1/2" BRASS CAP	NE COR. SEC. 3	803652.777	3049	5/8" IRON REBAR	CENTER 1/4 CORNER SECTION 2	800833.849	8512997.457
3025	2 1/2" BRASS CAP	E 1/4 SEC. 3	800814.849	3050	2" BRASS CAP IN CONCRETE	SE COR. LOT 35, INITIAL POINT FOR ALORA HEIGHTS & SW COR. L 126, SUNSET ESTATES	800863.717	8512997.175
3026	5/8" IRON REBAR	NW CORNER OF REPLAT OF REPLAT, BLOCK ONE HAL BRANDT TRACTS	800082.719	3051	5/8" IRON REBAR	NW COR. LOT 1, & INITIAL POINT FOR SUNSET ESTATES	803640.722	8512985.915
3027	5/8" IRON REBAR PLS 1106	SW CORNER HAL BRANDT TRACTS INITIAL POINT	799489.229	3052	2 1/2" BRASS CAP PLS 933	NORTH 1/4 CORNER SECTION 2	803673.688	8512985.806
3029	5/8" IRON REBAR (2431)	NE COR. OF REPLAT OF LOTS 3, 4, 5, 6, 7, 8, 9, 10, BLK 1 OF HAL BRANDT TRACTS & SE COR. LOT 11, BLK 1, HAL BRANDT TRACTS	800035.780	3300	5/8" IRON ROD PLASTIC CAP (2017)	CL CUL-DA-SAC, E. AUTUMN AVE, PHEASANT RUN, PHASE 1	800675.938	8512604.924
3030	5/8" IRON REBAR	NE CORNER LOT 12, BLOCK 1 HAL BRANDT TRACTS	800155.066	3302	5/8" IRON ROD PLASTIC CAP (2017)	CL E. AUTUMN AVE. & CL N.E. 4TH STREET, PHEASANT RUN, PHASE 1	800669.481	8511701.186
3031	5/8" IRON REBAR PLASTIC CAP (2017)	NW CORNER LOT 69 SUNCREST ESTATES	800800.075	3303	5/8" IRON ROD	NW COR. ALORA HEIGHTS & NE COR. QUAIL RIDGE 2	802155.798	8512331.899
3032	1/2" IRON ROD IN CONCRETE	INITIAL POINT ELWOOD TRACTS	800801.201	6006	5/8" IRON REBAR PLASTIC CAP 34587	SW COR. ALORA HEIGHTS & INITIAL POINT, QUAIL RIDGE	800859.009	8512340.058
3033	5/8" IRON ROD	SE COR. LOT 8, BLK 2, ELWOOD TRACTS & NE COR. LOT 10, BLK. 2 HAL BRANDT TRACTS	800157.092	6007	1/2" IRON PIPE	SW COR. L 18, SUNSET EST.	802160.782	8512993.383
3034	5/8" IRON ROD	NW COR. LOT 4, BLK 6 HAL BRANDT TRACTS & SW CORNER LOT 8, SUNCREST ESTATES	799618.033	6008	5/8" IRON REBAR	NE COR. ALORA HEIGHTS	802160.547	8512987.501
3037	5/8" IRON ROD PLASTIC CAP (2017)	NW COR. LOT 13 QUAIL RIDGE	801290.099	6010	5/8" IRON REBAR PLASTIC CAP (2017)	NW COR. QUAIL RIDGE 2	802149.490	8511620.588
3038	5/8" IRON ROD PLASTIC CAP (2017)	SE COR. LOT 15, SUNCREST ESTATES	799495.824	6011	5/8" IRON REBAR PLASTIC CAP (2017)	NE COR. L 20, QUAIL RIDGE 2	801451.671	8512336.293
3039	5/8" IRON ROD PLASTIC CAP (1106)	SW COR. LOT 75, PHEASANT RUN PHASE 4	799496.556					

LEGEND:
◆ FOUND MONUMENTS AS NOTED



PT #	TRUE BEARING & DISTANCE	OF RECORD, PLAT OR COMPUTED FROM PLAT
3019	N 0°10'41" E 2838.31'	N 0°40'56" W 2838.30' DESERT SHADOWS #2
3017	S 89°40'55" E 2659.07'	N 89°28'06" E 2659.13' DESERT SHADOWS #2
3024	S 0°22'45" W 2838.18'	S 0°28'38" E 2838.30' REP. REP. DESERT SHADOWS
		S 0°28'49" E 2837.70' DESERT SHADOWS #2
3025	N 89°41'05" W 2649.10'	S 89°27'19" W 2649.02' REP. REP. DESERT SHADOWS
		S 89°27'19" W 2649.13' DESERT SHADOWS #2
3019	N 89°41'05" E 2649.10'	S 89°28'06" W 2659.13' DESERT SHADOWS #2
3025	S 89°33'14" E 2643.21'	S 89°32'34" E 2643.36' QUAIL RIDGE
3049	N 0°37'23" E 2840.02'	N 0°14'50" W 2840.28' SUNSET ESTATES
3024	N 89°35'36" W 2655.29'	S 89°35'36" W 2655.29'
3017	N 89°40'55" W 2659.07'	S 89°28'06" W 2659.13' DESERT SHADOWS #2
3018	S 2°42'58" E 594.30'	S 3°34'33" E 594.29' DESERT SHADOWS #2
3023	S 60°17'30" E 1869.73'	S 61°07'39" E 1870.24' DESERT SHADOWS #2
		(S 0°34'49" E 1287.42' DESERT SHADOWS #2)
3020	N 43°44'14" W 884.78'	N 44°36'20" W 884.90' DESERT SHADOWS
3022	S 57°17'03" W 1239.60'	S 56°24'47" W 1239.59' DESERT SHADOWS
3018	N 88°56'13" E 1654.93'	N 88°04'13" E 1654.97' DESERT SHADOWS
3025	S 87°23'34" E 995.45'	S 88°14'30" E 995.34' DESERT SHADOWS
3024	N 0°22'45" E 2838.18'	S 0°28'38" E 2838.30' DESERT SHADOWS #2
3023	S 33°46'31" W 1811.17'	S 32°54'27" W 1811.55' DESERT SHADOWS #2
3052	S 0°40'09" W 32.98'	S 0°17'53" E 33.00' SUNSET ESTATES
3022	S 0°34'08" W 1480.04'	S 0°17'53" E 1480.17' SUNSET ESTATES
3050	S 0°41'26" W 1297.14'	S 0°11'21" E 1297.11' SUNSET ESTATES
3049	S 0°19'00" W 29.87'	S 0°11'21" E 30.00' SUNSET ESTATES
3050	N 0°19'00" E 29.87'	N 0°24'56" W 30.00' ALORA HEIGHTS
6008	N 89°33'25" W 655.65'	S 89°35'27" W 655.70' ALORA HEIGHTS
3303	S 0°29'52" W 1296.88'	S 0°20'49" E 1296.87' ALORA HEIGHTS
6008	S 89°33'09" E 657.17'	N 89°35'27" E 657.25' ALORA HEIGHTS
3050	N 26°23'07" W 1453.37'	N 27°14'08" W 1453.27' ALORA HEIGHTS
3303	N 24°09'51" E 1652.85'	S 42°42'31" W 2046.33'
6010	S 42°42'31" W 2046.33'	S 89°33'21" E 711.34' QUAIL RIDGE #2
3303	S 89°39'00" E 711.38'	S 0°30'02" W 704.18' QUAIL RIDGE #2
6011	S 0°30'02" W 704.18'	S 0°29'39" W 592.70' QUAIL RIDGE & QUAIL RIDGE #2
6008	S 86°57'01" E 657.92'	S 86°55'48" E 658.09' QUAIL RIDGE

PT #	TRUE BEARING & DISTANCE	OF RECORD, PLAT OR COMPUTED FROM PLAT
3049	S 0°26'42" W 1328.44'	S 0°27'47" W 1328.29' PHEASANT RUN #1
3040	N 89°32'26" W 1286.79'	N 89°32'29" W 1286.63' PHEASANT RUN #4
3039	N 19°07'45" E 423.58'	N 19°07'46" E 423.70' PHEASANT RUN #2 & 4
3043	S 89°32'56" E 259.33'	S 89°32'29" E 259.35' PHEASANT RUN #2 & 3
3042	N 58°34'31" E 733.14'	N 58°36'20" E 733.11' PHEASANT RUN #3 & 5
3047	N 26°56'46" E 603.18'	N 26°56'32" E 603.31' PHEASANT RUN #5
3049	S 68°56'38" W 423.13'	S 68°58'16" W 423.18' PHEASANT RUN #1
3300	S 60°38'14" W 573.18'	S 60°38'06" W 573.10' PHEASANT RUN #1 & 3
3045	N 89°33'08" W 259.32'	N 89°32'29" W 259.35' PHEASANT RUN #1 & 3
3044	N 26°51'55" W 320.72'	N 26°52'05" W 320.80' PHEASANT RUN #1 & 2
3302	N 82°58'52" W 1354.62'	N 82°58'22" W 1354.67' PHEASANT RUN #1
3025	S 45°09'28" E 1898.40'	S 45°08'51" E 1898.59' PHEASANT RUN #1 & 4
3039	S 45°09'28" E 1898.40'	S 45°08'51" E 1898.59' PHEASANT RUN #1 & 4
3049	S 45°50'17" W 1891.55'	N 76°10'51" W 544.54' SUNCREST
3038	N 76°10'40" W 544.32'	N 80°35'41" E 720.30' SUNCREST
3034	N 0°30'49" E 1182.13'	N 0°32'59" E 1182.35' SUNCREST
3031	N 88°02'26" W 768.67'	N 88°03'09" W 768.98' SUNCREST
3025	S 88°15'19" E 882.01'	S 88°18'04" E 882.28' ELWOOD TRACTS
3032	S 15°34'38" W 666.00'	S 15°32'12" W 666.11' ELWOOD TRACTS
3033	N 46°26'08" W 969.85'	N 46°29'05" W 970.05' ELWOOD TRACTS
3025	S 2°01'55" E 1327.38'	S 2°03'29" E 1326.91' HAL BRANDT TRACTS
3027	N 80°33'24" E 720.32'	N 80°35'41" E 720.30' HAL BRANDT TRACTS
3034	N 39°42'34" W 549.96'	N 39°43'51" W 549.46' HAL BRANDT TRACTS
3029	N 84°49'38" W 358.07'	N 84°56'51" W 358.26' REP. LOTS 3-10 BLK. 1 HAL BRANDT TRACTS
3026	N 3°46'19" W 754.63'	N 3°48'00" W 754.84' HAL BRANDT TRACTS
3025	N 72°42'42" E 1526.02'	N 72°43'04" E 1526.13' QUAIL RIDGE & QUAIL RIDGE #2
3037	S 50°18'35" E 687.54'	S 50°17'33" E 687.51' QUAIL RIDGE & QUAIL RIDGE #2
6006	N 0°29'52" E 1296.88'	N 0°20'49" W 1296.87' ALORA HEIGHTS
3303	N 0°29'52" E 1296.88'	N 0°20'49" W 1296.87' ALORA HEIGHTS



NARRATIVE:
THIS MAP IS PART OF MY CONTRACT WITH UMATILLA COUNTY TO ESTABLISH NGS STATE PLANE COORDINATES ON TWO MONUMENTS IN EACH SUBDIVISION IN THE CITY OF HERMISTON.
THE CONTROL USED (SHOWN ON THE INDEX MAP) WAS SET BY CASWELL IN 1993 FOR THE HERMISTON WATER PROJECT.
DATA WAS COLLECTED BY REAL TIME KINEMATIC WITH A TOPCON HIPER + G.P.S. SYSTEM. THE OREGON STATE PLANE COORDINATES, NORTH ZONE (3601) (NAD 83/91) ARE LISTED ABOVE.
THE COMBINED SCALE FACTOR IS .9999474 AND THETA IS 0° 51' 29" AT POINT #3025.
NOTE THAT THERE IS A 5.89 FOOT GAP BETWEEN THE NE CORNER OF "ALORA HEIGHTS" AND "SUNSET ESTATES".

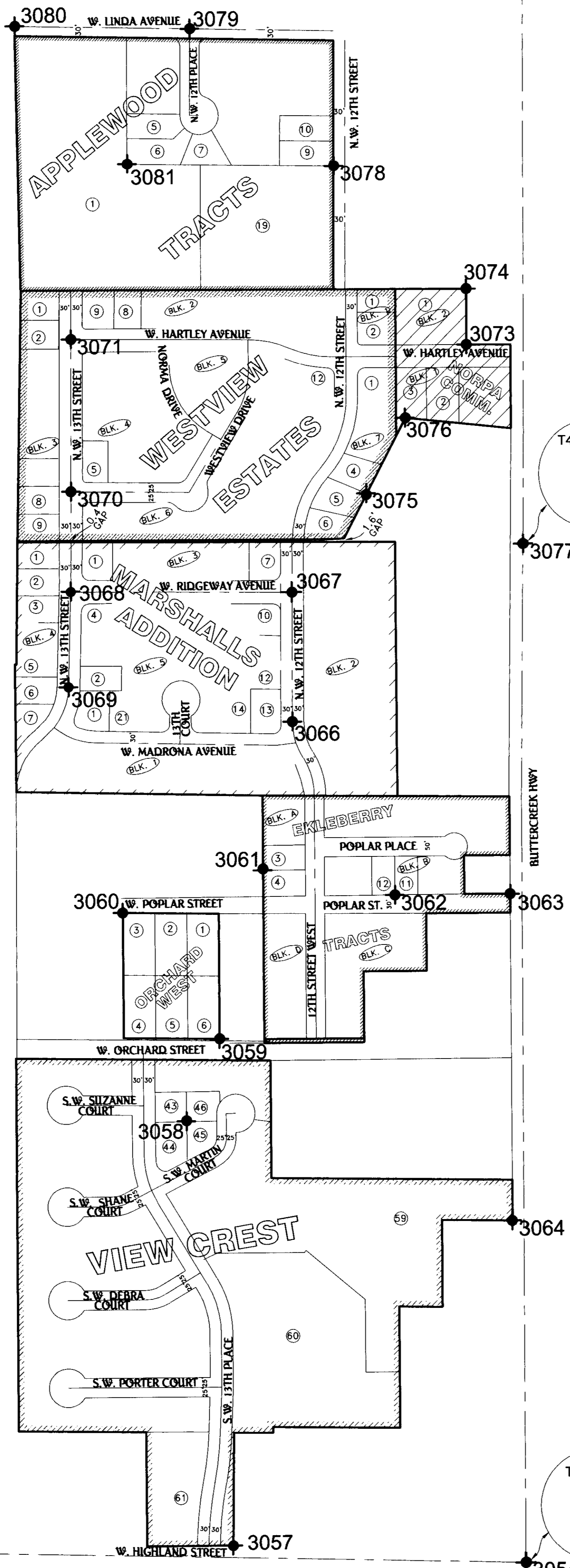
REGISTERED
PROFESSIONAL
LAND SURVEYOR
G. Dennis Edwards
OREGON
JULY 16, 1971
G. DENNIS EDWARDS
RENEWS 12/31/2003

SHEET 3 OF 12
MAP #2
SURVEY FOR UMATILLA COUNTY
IN SECTIONS 2 & 3, T 4 N, R 28 E, W.M.,
UMATILLA COUNTY, OREGON
06/01/2004 JOB #S0312296
EDWARDS SURVEYING P.O. BOX 763
541-567-3336 HERMISTON, OR 97838
HERMISTON, OR 97838

RECEIVED BY
Umatilla County Surveyor
Date: 1-05
Sheet: KK
No. 05-013-g

LEGEND:

◆ FOUND MONUMENTS AS NOTED



PT. #	TRUE BEARING & DISTANCE	OF RECORD PLAT OR COMPUTED FROM PLAT
3082	S 45°43'40" W 1858.04'	S 45°44'07" W 1858.13' APPLEWOOD
3080	S 66° 05'39" E 906.14'	S 66°04'25" E 906.13' APPLEWOOD
3078	S 26°19'15" E 1098.47'	
3077	N 71°55'42" W 431.38'	
3075	N 89°15'10" W 768.31'	S 89°54'28" W 768.40' WESTVIEW
3070	N 0°20'51" E 395.63'	N 0°29'00" W 395.68' WESTVIEW
3071	S 62°05'27" E 866.64'	S 62°55'44" E 866.69' WESTVIEW
3075	N 27°56'44" E 220.78'	N 27°05'10" E 220.74' WESTVIEW & NORPA COMMERCIAL
3076	N 25°55'01" E 371.67'	N 25°04'40" E 371.63' NORPA COMMERCIAL
3074	N 4°34'56" E 1992.04'	
3082	S 0°19'25" W 2648.86'	S 0°21'51" W 2648.83' ME 1995 SURVEY FOR COLUCCIO
3077	S 78°39'02" W 617.22'	
3067	N 89°30'25" W 576.79'	N 89°32'30" W 576.79' MARSHALL'S
3068	S 1°46'07" W 247.32'	S 1°44'15" W 247.12' MARSHALL'S
3069	S 80°57'25" E 589.65'	
3066	N 0°21'20" E 334.92'	N 0°19'45" E 334.95' MARSHALL'S
3070	S 0°47'11" W 260.36'	(260.00) WESTVIEW & MARSHALL'S
3068	S 30°56'22" W 2885.27'	
3056	S 88°51'42" E 2651.07'	S 89°43'29" E 2651.09' VIEW CREST
3054	N 0°19'13" E 2643.93'	N 0°32'33" W 2643.97' VIEW CREST ME 1995 SURVEY FOR COLUCCIO
3077	S 2°23'50" W 912.78'	S 2°04'20" W 912.59' EKLEBERRY TRACTS
3063	N 83°48'54" W 648.59'	N 84°09'16" W 648.43' EKLEBERRY TRACTS
3061	S 83°48'54" E 648.59'	S 84°09'16" E 648.43' EKLEBERRY TRACTS
3063	S 0°46'27" E 1732.07'	S 1°05'29" E 1732.38' EKLEBERRY TRACTS
3054	N 1°48'23" W 887.14'	N 2°40'26" W 887.09' VIEWCREST
3064	N 72°43'59" W 888.88'	N 73°35'23" W 888.84' VIEWCREST
3058	S 5°47'48" E 1107.75'	S 6°40'14" E 1108.06' VIEWCREST
3057	N 89°52'19" W 1885.65'	S 89°16'22" W 1885.91' VIEWCREST
3056	N 44°29'34" E 2299.96'	
3060	S 36°56'35" E 412.79'	S 37°15'15" E 412.78' ORCHARD WEST
3059	S 30°06'31" E 1576.05'	
3054	N 88°51'42" W 2651.07'	N 89°43'29" W 2651.09' VIEW CREST
3056	N 85°41'58" E 1.70'	N 84°16'24" E 1.66' ROBERTS 1997 SURVEY FOR QUICK

#	MONUMENT	CORNER	STATE PLANE COORDINATES "NORTH ZONE" NAD 83/91	
			N	E
3054	2 1/2" BRASS CAP LS 59616	SE COR., SEC 9	792814.095	8505144.380
3055	R.R. SPIKE	N 1/4 COR SEC. 16	792827.969	8502495.183
3056	3/4" IRON REBAR	S 1/4 COR SEC 9	792827.817	8502493.488
3057	ALUMINUM CAP	MOST SOUTHERLY SE CORNER OF VIEWCREST ADD.	792851.303	8504378.887
3058	5/8" IRON REBAR 1094	SE COR. L 43, VIEWCREST ADD.	793951.565	8504250.838
3059	5/8" IRON REBAR 951	SE COR. L 6, INITIAL POINT, ORCHARD WEST ESTATES	794165.662	8504333.874
3060	5/8" IRON REBAR 951	NW COR. L 3, ORCHARD WEST ESTATES	794491.876	8504080.976
3061	1/2" IRON REBAR	NW COR. L 4, BLK A EKLEBERRY TRACTS	794605.782	8504449.808
3062	1/2" IRON REBAR	SE COR. L 12, BLK B EKLEBERRY TRACTS	794542.691	8504790.516
3063	5/8" IRON REBAR	NE COR., POPLAR ST. EKLEBERRY TRACTS	794545.385	8505095.543
3064	5/8" IRON REBAR 1094	MOST NORTHERLY SE CORNER OF VIEWCREST ADD.	793700.236	8505103.394
3066	R.R. SPIKE	PC, CL 12TH STREET MARSHALLS ADD.	794992.553	8504519.895
3067	R.R. SPIKE	CL 12TH ST. & CL W. RIDGEWAY AVE., MARSHALLS ADD.	795327.441	8504517.054
3068	R.R. SPIKE	CL 13TH ST. & CL W. RIDGEWAY AVE., MARSHALLS ADD.	795323.933	8503940.307
3069	R.R. SPIKE	PC, CL 13TH ST., MARSHALLS ADD.	795076.664	8503936.307
3070	1 1/4" IRON PIPE	CL NW 13TH ST. & CL WESTVIEW DR., WESTVIEW ESTATES	795584.279	8503940.057
3071	1 1/4" IRON PIPE	CL NW 13TH ST. & CL NW HARTLEY AVE., WESTVIEW ESTATES	795979.876	8503936.645
3073	5/8" IRON REBAR	SE COR. L 1, BLK 2, NORPA COMMERCIAL ADD.	795973.656	8504967.640
3074	5/8" IRON REBAR	NE COR., L 1, BLK 2, NORPA COMMERCIAL ADD.	796118.693	8504966.415
3075	1/2" IRON REBAR	SE COR. L 4, BLK 7, WESTVIEW ESTATES	795585.544	8504708.321
3076	5/8" IRON REBAR	ANGLE POINT, SOUTH LINE OF L 3, BLK 1, NORPA COMMERCIAL ADD.	795782.067	8504808.904
3077	2" ALUMINUM CAP	E 1/4 COR., SEC. 9	795457.774	8505120.320
3078	5/8" IRON REBAR	SE COR. L 9, APPLEWOOD TRACTS	796435.044	8504618.880
3079	BRASS CAP	CL NW 12TH PLACE & CL W. LINDA AVE., APPLEWOOD TRACTS	796787.369	8504240.759
3080	1 1/2" ALUMINUM CAP 1242	NE 1/16 COR., SEC. 9 NW COR., APPLEWOOD TRACTS	796790.012	8503785.220
3081	5/8" IRON REBAR PLASTIC CAP-TOMKINS	SW COR., L 6, APPLEWOOD TRACTS	796435.273	8504080.289
3082	5/8" IRON REBAR	NE COR., SEC. 9	798106.383	8505096.365

NARRATIVE:

THIS MAP IS PART OF MY CONTRACT WITH UMATILLA COUNTY TO ESTABLISH NGS STATE PLANE COORDINATES ON TWO MONUMENTS IN EACH SUBDIVISION IN THE CITY OF HERMISTON.

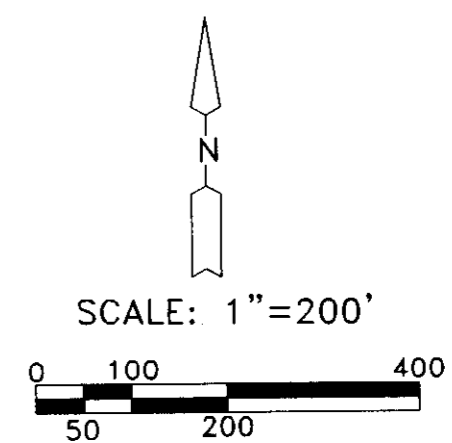
THE CONTROL USED (SHOWN ON THE INDEX MAP) WAS SET BY CASWELL IN 1993 FOR THE HERMISTON WATER PROJECT.

DATA WAS COLLECTED BY REAL TIME KINEMATIC WITH A TOPCON HIPER + G.P.S. SYSTEM. THE OREGON STATE PLANE COORDINATES, NORTH ZONE (3601) (NAD 83/91) ARE LISTED ABOVE.

THE COMBINED SCALE FACTOR IS .9999451 AND THETA IS 0° 50' 30" AT POINT #3067.

THERE ARE TWO MONUMENTS AT THE SOUTH 1/4 CORNER OF SECTION 9. I SHOW BOTH. ON THIS MAP I SHOW TIES TO THE WEST CORNER BECAUSE CHRISTENSON PLS#1094 USED THAT MONUMENT IN HIS SURVEY FOR "VIEWCREST ADDITION". I BELIEVE THAT THE EAST MONUMENT (RR SPIKE) POINT #3055 SHOULD BE USED FOR THE 1/4 CORNER. IN A 1963 SURVEY (#63-150-C) HARRIS SAID HE FOUND A PIN 1.31 FEET WEST OF HIS COMPUTED POSITION. CRAMER SET THE RR SPIKE FOR THE 1/4 CORNER IN 1984. ROBERTS ACCEPTED THE RR SPIKE IN A 1997 SURVEY FOR QUICK AND FERGUSON ACCEPTED THE RR SPIKE FOR HIS PARTITION PLAT 1998-30 AND SUBSEQUENT PLAT OF "NORTH RIVERVIEW HEIGHTS" IN SECTION 16.

THERE IS A GAP BETWEEN "WESTVIEW EST." AND "MARSHALLS ADD."



SHEET 4 OF 12

MAP #3
SURVEY FOR UMATILLA COUNTY
IN E 1/2 SEC. 9, T 4 N, R 28 E, W.M.,
UMATILLA COUNTY, OREGON
6/15/04 JOB #S0312296
EDWARDS SURVEYING P.O. BOX 763
541-567-3336 HERMISTON, OR 97838
DRAWN BY NJF

REGISTERED PROFESSIONAL LAND SURVEYOR
G. Dennis Edwards
OREGON
JULY 16, 1971
G. DENNIS EDWARDS
9 5 1
RENEWS 12/31/2005

HERMISTON COUNTY SURVEYOR
RECALCULATED BY
DATE: 1-05
BY: KJ
NO. 06-013-9

2 1/2" B.C.
IN MON. BOX
3087

T4N R28E
211
11112
LS 933

R.R. SPIKE
T4N R28E
1/4
10
12

3095

NARRATIVE:

THIS MAP IS PART OF MY CONTRACT WITH UMATILLA COUNTY TO ESTABLISH NGS STATE PLANE COORDINATES ON TWO MONUMENTS IN EACH SUBDIVISION IN THE CITY OF HERMISTON.

THE CONTROL USED WAS SET BY CASWELL IN 1993 FOR THE HERMISTON WATER PROJECT. HIS POINTS THAT I USED ARE SHOWN ON THE INDEX MAP (SHEET 1) AND ARE ON FILE AT THE UMATILLA COUNTY SURVEYORS OFFICE.

DATA WAS COLLECTED BY REAL TIME KINEMATIC WITH A TOPCON HIPER + G.P.S. SYSTEM. THE OREGON STATE PLANE COORDINATES, NORTH ZONE (3601) (NAD 83/91) ARE LISTED ABOVE BELOW.

THE COMBINED SCALE FACTOR IS .9999448 AND THETA IS 0° 52' 35" AT POINT # 3090.

T4N R28E
1/4
11
12

R.R. SPIKE
STAMPED LS 951
RESET LOC. OF
5/8" IRON REBAR
FROM SURVEY TIES

3086
3085

3088

3089

3090

3096

3092

3093

3097

3098

3084

HIGHLAND
SUMMIT
#2 & 3

HIGHLAND
SUMMIT
#2 & 3

HIGHLAND
SUMMIT
#4

SANDSTONE
#2

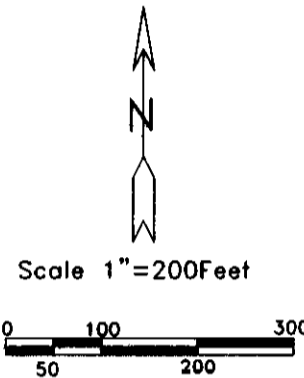
SANDSTONE
#3

SANDSTONE

REGISTERED
PROFESSIONAL
LAND SURVEYOR

G. Dennis Edwards

OREGON
JULY 16, 1971
G. DENNIS EDWARDS
9 5 1
RENEWS 12/31/2005



#	MONUMENT	CORNER	STATE PLANE COORDINATES "NORTH ZONE" NAD 83/91	
			N	E
3083	2" ALUMINUM CAP	SW COR., SEC 12	792889.908	8515732.794
3084	5/8" IRON REBAR PLASTIC CAP (G&L)	SW COR., L 1, INITIAL POINT HIGHLAND SUMMIT	794356.769	8515753.841
3085	5/8" IRON REBAR PLASTIC CAP (G&L)	NW COR., L 43, HIGHLAND SUMMIT	795423.567	8515745.069
3086	R.R. SPIKE LS 951	W 1/4 COR., SEC 12	795543.288	8515711.166
3087	2 1/2" BRASS CAP IN MON. BOX	NW COR., SEC 12	798191.168	8515673.112
3088	5/8" IRON REBAR PLASTIC CAP (G&L)	NE COR., L 36, HIGHLAND SUMMIT & NW COR., L 66, HIGHLAND SUMMIT, PHASES 2 & 3, INITIAL POINT	795545.908	8516387.560
3089	5/8" IRON REBAR PLASTIC CAP (G&L)	NE COR., L 72, HIGHLAND SUMMIT, PHASES 2 & 3, & NW COR., L 114 HIGHLAND SUMMIT, PHASE 4, INITIAL POINT	795548.081	8516921.857
3090	5/8" IRON REBAR PLASTIC CAP (G&L)	INITIAL POINT & SW COR., L 37, SANDSTONE & POINT ON NORTH LINE OF L 115, HIGHLAND SUMMIT #4	795548.462	8517034.904
3091	5/8" IRON REBAR TOMPKINS	INITIAL POINT & NW COR., L 76, SANDSTONE, #3	796210.378	8517026.909
3092	5/8" IRON REBAR PLASTIC CAP (G&L)	CL NE MARTY DRIVE, SOUTH LINE, SANDSTONE #3, CL NE MARTY DRIVE, NORTH LINE, SANDSTONE	795916.713	8518174.853
3093	5/8" IRON REBAR PLASTIC CAP (G&L)	SE COR., L 58, SANDSTONE, PHASE 2	795338.698	8518325.732
3094	2 1/2" BRASS CAP	S 1/4 COR., SEC. 12	792902.333	8518385.278
3095	R.R. SPIKE	N 1/4 COR., SEC. 12	798200.181	8518332.163
3096	5/8" IRON REBAR PLASTIC CAP (G&L)	INITIAL POINT, NW COR., L 44, SANDSTONE #2 & NE COR., L 1 SANDSTONE	795626.624	8517362.846
3097	ALUMINUM CAP G&L	CL NE 13TH ST & CL NE MADRONA DR., HIGHLAND SUMMIT, #4	795166.213	8517035.423
3098	5/8" IRON REBAR	CL E MAIN ST & CL 13TH ST HIGHLAND SUMMIT, PHASES 2 & 3	794776.864	8517038.632

PT. #	TRUE BEARING & DISTANCE	OF RECORD PLAT OR COMPUTED FROM PLAT	
		BEARING & DISTANCE	PLAT
3095	N 89°19'04" W 2659.21'	N 89°29'10" W 2659.15'	HIGHLAND SUMMIT
3087	S 0°03'11" W 2648.30'	S 0°06'48" E 2648.23'	HIGHLAND SUMMIT
3086	S 0°24'34" W 2653.61'	S 0°14'35" W 2653.64'	HIGHLAND SUMMIT
3083	S 89°23'31" E 2652.66'	S 89°33'40" E 2652.68'	HIGHLAND SUMMIT
3094	N 0°18'07" E 5298.41'	N 0°08'05" E 5298.34'	HIGHLAND SUMMIT
3095	S 4°49'02" W 2289.01'	S 4°39'02" W 2289.03'	SANDSTONE #3
3092	N 74°46'27" W 1184.98'	N 74°56'49" W 1184.94'	SANDSTONE #3
3091	N 33°28'29" W 2399.36'	N 33°38'20" W 2399.38'	SANDSTONE #3
3087	S 0°03'11" W 2648.30'	S 0°06'48" E 2648.23'	HIGHLAND SUMMIT
3086	S 89°20'44" E 676.44'	S 89°30'46" E 676.28'	HIGHLAND SUMMIT
3088	S 89°21'24" E 534.33'	S 89°30'46" E 534.55'	HIGHLAND SUMMIT 2 & 3
3089	S 89°19'01" E 113.05'	S 89°30'46" E 113.00'	HIGHLAND SUMMIT 4
3090	N 89°20'51" W 1323.82'	N 89°30'46" W 1323.84'	HIGHLAND SUMMIT 4
3086	S 14°56'07" E 124.44'	S 15°08'00" E 124.46'	HIGHLAND SUMMIT
3085	S 0°24'19" W 1066.89'	S 0°14'35" W 1066.95'	HIGHLAND SUMMIT
3084	S 1°41'54" W 1467.09'	S 1°31'55" W 1467.06'	HIGHLAND SUMMIT
3083	N 35°33'39" E 2294.86'	N 35°23'47" E 2294.83'	HIGHLAND SUMMIT & HIGHLAND SUMMIT 2 & 3
3098	N 0°24'15" E 389.38'	N 0°14'35" E 389.47'	HIGHLAND SUMMIT 2 & 3 HIGHLAND SUMMIT 4
3097	N 0°47'55" E 382.27'	N 0°37'25" E 382.25'	HIGHLAND SUMMIT 4
3090	N 77°28'14" E 337.15'	N 77°18'34" E 337.11'	HIGHLAND SUMMIT 4 & SANDSTONE 2
3096	S 72°28'32" E 1005.07'	S 72°39'27" E 1005.08'	SANDSTONE 2
3093	S 0°31'25" E 2437.23'	S 0°41'17" E 2437.32'	SANDSTONE 2
3094	N 26°09'35" W 2970.94'	N 26°19'37" W 2970.83'	SANDSTONE
3090	N 0°11'04" E 662.00'	N 0°00'38" E 661.89'	SANDSTONE & SANDSTONE 3

T4N R28E
1112
14113
LS 951

2" ALUM. CAP
3083

T4N R28E
12
13
LS 933

2 1/2" B.C.
3094

LEGEND:

✦ FOUND MONUMENTS AS NOTED

SHEET 5 OF 12

MAP #4
SURVEY FOR UMATILLA COUNTY
IN W 1/2, SEC. 12, T 4 N, R 28 E,
UMATILLA COUNTY, OREGON
6/21/04 JOB #S0312296
EDWARDS SURVEYING P.O. BOX 763
541-567-3336 HERMISTON, OR 97838
DRAWN BY NJF

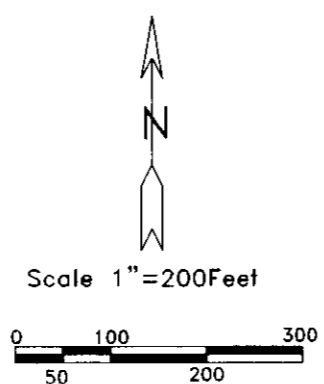
RECEIVED BY
Umatilla County Surveyor
Date 1-05
Rec'd by KK
No. 05-013-9

REPLATS:

- REPLAT "A" REPLAT OF BLK. A A PORTION OF LOT 4, HERMISTON ORCHARDS
- REPLAT "B" REPLAT OF REPLAT OF BLOCK A A PORTION OF LOT 6, HERMISTON ORCHARDS
- REPLAT "C" REPLAT OF LOT 7 RIDGEWAY TRACTS
- REPLAT "D" REPLAT OF LOT 14 RIDGEWAY TRACTS
- REPLAT "E" REPLAT OF BLK. A LOTS 2 & 3 HERMISTON ORCHARDS
- REPLAT "F" REPLAT OF BLK. "A" LOTS 14-15 HERMISTON ORCHARDS
- REPLAT "G" REPLAT OF LOT 9 RIDGEWAY TRACTS
- REPLAT "H" REPLAT OF BLK. "I" PORTION LOTS 10 & 11 HERMISTON ORCHARDS
- REPLAT "J" REPLAT OF BLK. A, PORTION OF LOT 6, HERMISTON ORCHARDS

LEGEND:

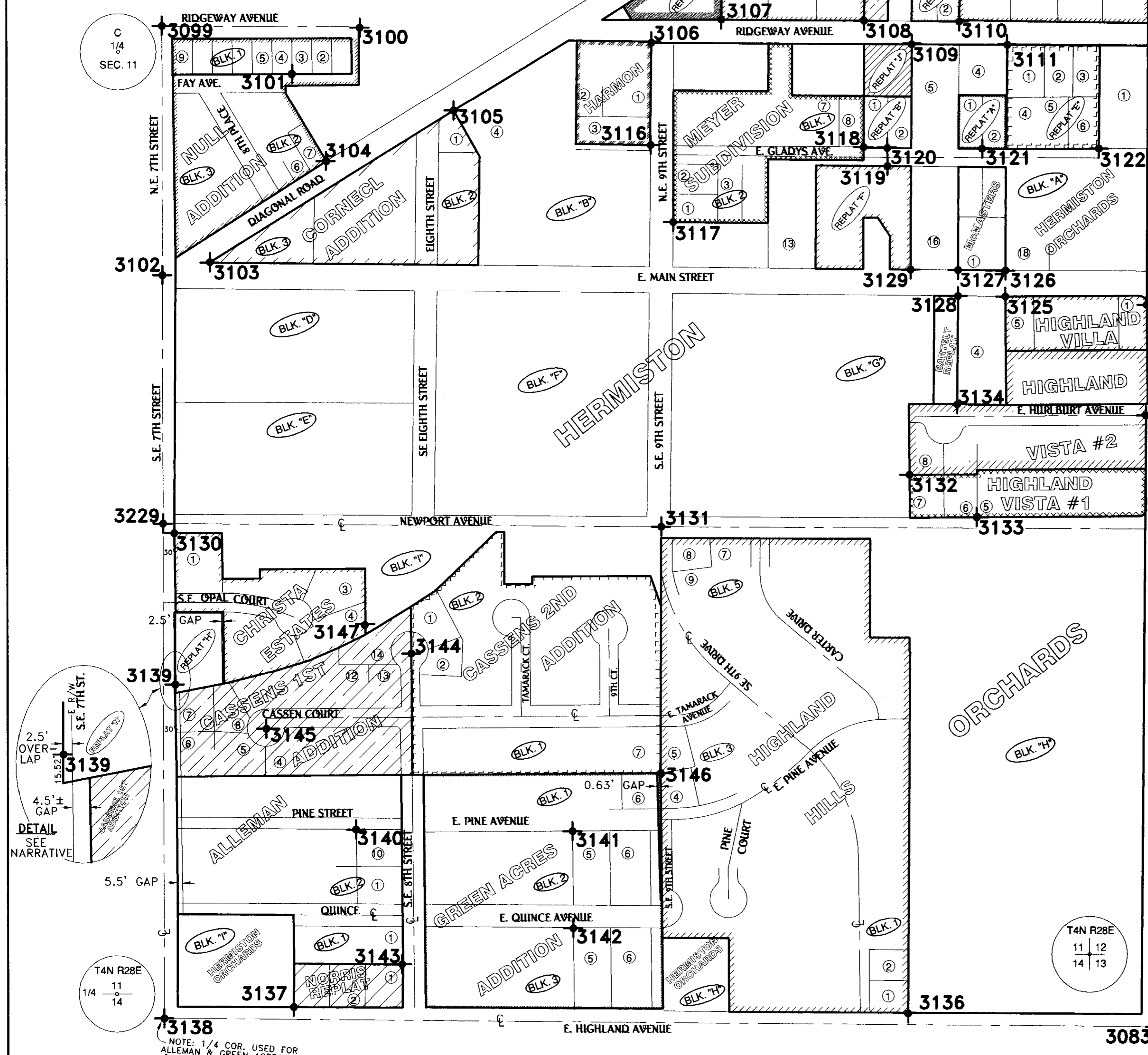
MONUMENTS FOUND



NARRATIVE:

THIS SURVEY IS PART OF MY CONTRACT WITH UMATILLA COUNTY TO ESTABLISH NGS STATE PLANE COORDINATES ON TWO MONUMENTS IN EACH SUBDIVISION IN THE CITY OF HERMISTON. THE CONTROL USED WAS SET BY CASWELL IN 1993 AND IS SHOWN ON SHEET ONE (INDEX MAP). DATA WAS COLLECTED BY REAL TIME KINEMATIC WITH A TOPCON HIPER+ G.P.S. SYSTEM. A MAJOR PROBLEM ON THIS MAP IS THAT THERE WERE TWO MONUMENTS AT THE SOUTH 1/4 CORNER OF SECTION 11 BEFORE 1980 AND THE SURVEYORS WHO PLATED SUBDIVISIONS BETWEEN 1970 AND 1980 USED A MONUMENT WHICH WAS 5.90 FEET EAST OF THE MONUMENT WHICH HAS BEEN ACCEPTED AS THE QUARTER CORNER. SAID ACCEPTED MONUMENT FITS OLD SUBDIVISIONS AND PROPERTY LINES IN SECTION 14 MUCH BETTER THAN THE ONE WHICH WAS 5.90 FEET EAST. ANOTHER PROBLEM IS THAT REPLAT "H" OVERLAPS ONTO SEVENTH STREET RIGHT OF WAY AND LEAVES A 2.5 FOOT GAP BETWEEN IT AND "CHRISTA ESTATES". THE COMBINED SCALE FACTOR OF THIS MAP IS .99994458 AND THETA IS 0° 52' 08" AT POINT #3131.

REGISTERED PROFESSIONAL LAND SURVEYOR
J. Dennis Edwards
 OREGON
 JULY 16, 1971
 G. DENNIS EDWARDS
 9-3-3
 RENEWS 12/31/2005



#	MONUMENT	CORNER	STATE PLANE COORDINATES "NORTH ZONE" NAD 83/91	N	E
3083	2" ALUM. CAP	SE COR., SEC. 11	79289.908	851572.794	
3086	R.R. SPIKE LS 951	E 1/4 COR., SEC. 11	795543.288	8515711.166	
3087	2 1/2" BRASS CAP IN MON. BOX	NW COR., SEC. 11	798191.168	8515673.112	
3099	1/2" IRON REBAR	CTR 1/4 COR., SEC. 11	795529.713	8513031.061	
3100	3/4" IRON PIPE	NE COR NULL ADD. CL RIDGEWAY AVE	795532.228	8513561.273	
3101	3/4" IRON PIPE	SW COR., L. 3, BLK. 1, NULL ADD.	795406.454	8513381.766	
3102	PK NAIL @ BASE OF BENT 3/4" IRON ROD	CL SEVENTH ST & CL MAIN ST.	794864.547	8513041.535	
3103	2 1/2" IRON PIPE	INITIAL POINT, CORNECL ADD. (W COR.)	794899.855	8513168.143	
3104	1 1/4" IRON PIPE	SE COR., BLK. 2, NULL ADD.	795173.924	8513475.227	
3105	1/2" IRON REBAR	NE COR., L. 1, BLK. 2, CORNECL ADD.	795313.899	8513816.145	
3106	5/8" IRON REBAR PLASTIC CAP 2431	NE COR., L. 1, HARMON ADD & NE COR. L. 1, BLK. 8, HERMISTON ORCHARDS	795506.428	8514344.730	
3107	5/8" IRON REBAR PLASTIC CAP 951	SW COR., L. 2, INITIAL POINT, REPLAT OF L. 9, RIDGEWAY TRACTS & SW COR. L. 10, RIDGEWAY TRACTS	795567.244	8514531.960	
3108	5/8" IRON REBAR	SW COR., L. 2, REPLAT OF L. 7 & PART OF L. 13, RIDGEWAY TRACTS & SE COR. L. 12, RIDGEWAY TRACTS	795569.178	8514914.936	
3109	5/8" IRON REBAR PLASTIC CAP 2431	NE COR., L. 1, REPLAT OF REPLAT OF BLK. A, PORTION OF L. 8, OF HERMISTON ORCHARDS & NE COR., HERMISTON ORCHARDS	795509.800	8515043.980	
3110	5/8" IRON REBAR PLASTIC CAP 2431	SE COR., L. 2, REPLAT OF L. 14, OF RIDGEWAY TRACTS & SW COR., L. 15, RIDGEWAY TRACTS	795570.498	8515170.663	
3111	5/8" IRON REBAR PLASTIC CAP 2431	NE COR., L. 4, BLK. A, HERMISTON ORCHARDS, & NW COR., REPLAT "E"	795511.165	8515299.713	
3113	1 1/4" IRON PIPE	SW COR., L. 1, RIDGEWAY TRACTS	796169.375	8515426.791	
3114	5/8" IRON REBAR	SW COR., L. 6, RIDGEWAY TRACTS	795868.171	8515044.552	
3115	5/8" IRON REBAR PLASTIC CAP 951	NE COR., L. 1, REPLAT OF L. 9, RIDGEWAY TRACTS & 9.56' S OF NW COR., L. 10, RIDGEWAY TRACTS	795769.184	8514531.402	
3116	5/8" IRON REBAR PLASTIC CAP 2431	SE COR., L. 3, HARMON ADD. & SE COR., L. 1, BLK. 8, HERMISTON ORCHARDS	795228.925	8514346.545	
3117	2" BRASS CAP	INITIAL POINT, SW COR., L. 1, BLK. 2, MEYER SUBDIVISION	795024.323	8514410.025	
3118	5/8" IRON REBAR PLASTIC CAP 2431	SE COR., L. 8, BLK. 1, MEYER SUBDIV. & SW COR., REPLAT "B"	795230.885	8514918.169	
3119	2 1/2" IRON PIPE	NE COR., L. 5, REPLAT L14 & L15, BLK. A, HERMISTON ORCHARDS	795180.932	8514983.106	
3120	5/8" IRON REBAR PLASTIC CAP 2431	SE COR., L. 1, REPLAT "B", A PORTION OF L. 6, HERMISTON ORCHARDS	795230.885	8514982.042	
3121	5/8" IRON REBAR PLASTIC CAP 2431	SE COR., L. 1, REPLAT OF BLK. A, PORTION OF L. 6, HERMISTON ORCHARDS	795230.854	8515236.543	
3122	1/2" IRON REBAR	SE COR., L. 6, REPLAT OF BLK. A, PORTION OF L. 2 & 3, HERMISTON ORCHARDS.	795235.010	8515550.449	
3125	5/8" IRON REBAR PLASTIC CAP 951	NW COR., L. 5, INITIAL POINT, HIGHLAND VISTA & NE COR., L. 4, BLK. G, HERMISTON ORCHARDS	794836.806	8515304.388	
3126	1/2" IRON REBAR	SE COR., L. 1, MCMASTERS ADD. & SW L. 18, BLK. A, HERMISTON ORCHARDS	794906.925	8515303.809	
3127	5/8" IRON REBAR PLASTIC CAP 2431	SW COR., L. 5, MCMASTERS ADD. & SE L. 16, BLK. A, HERMISTON ORCHARDS	794906.608	8515176.342	
3128	5/8" IRON REBAR PLASTIC CAP 951	NE COR., L. 1, BARTELT REPLAT, & NW COR., L. 4, BLK. G, HERMISTON ORCHARDS	794836.443	8515176.929	
3129	1/2" IRON REBAR	SE COR., REPLAT "F" & SW COR. L. 16, BLK. A, HERMISTON ORCHARDS	794906.195	8515049.080	
3130	5/8" IRON REBAR PLASTIC CAP 2431	INITIAL POINT, NW COR., L. 1, CHRISTA ESTATES, & NW COR., L. 10, BLK. I, HERMISTON ORCHARDS	794174.111	8513082.574	
3131	5/8" IRON REBAR PLASTIC CAP 951	CL E NEWPORT AVE. & CL SE 9TH DRIVE HIGHLAND HILLS SUB	794208.720	8514388.732	
3132	2" ALUM. CAP	INITIAL POINT, NW COR., L. 7, HIGHLAND VISTA & INITIAL POINT SW COR., L. 8 HIGHLAND VISTA, #2	794356.704	8515053.108	
3133	5/8" IRON REBAR PLASTIC CAP 951	SE COR., L. 6, HIGHLAND VISTA	794242.289	8515235.484	
3134	5/8" IRON REBAR PLASTIC CAP 951	SE COR., L. 2, BARTELT REPLAT, & SW COR., L. 4, BLK. G, HERMISTON ORCHARDS	794547.147	8515178.697	
3135	5/8" IRON REBAR PLASTIC CAP 951	CL E HURLBURT AVE., HIGHLAND VISTA, & #2	794523.723	8515686.375	
3136	5/8" IRON REBAR PLASTIC CAP 951	SE COR., L. 1, BLK1, HIGHLAND HILLS	792916.704	8515066.330	
3137	5/8" IRON REBAR PLASTIC CAP 951	SW COR., L. 3, NORRIS REPLAT	792912.111	8513419.471	
3138	2 1/2" BRASS CAP	S 1/4 COR., SEC. 11	792877.571	8513072.981	
3139	5/8" IRON REBAR	15.52' NORTH OF SW COR. L. 2, REPLAT OF BLOCK 1, PORTIONS OF LOTS 10&11 OF HERMISTON ORCHARDS	793748.093	8513086.795	
3140	1/2" IRON REBAR	NW COR., L. 10, BLK. 2, ALLEMAN ADD.	793388.661	8513580.019	
3141	1/2" IRON REBAR	NW COR., L. 5, BLK. 2, GREEN ACRES ADD.	793391.573	8514160.789	
3142	1/2" IRON REBAR	NW COR., L. 5, BLK. 3, GREEN ACRES ADD.	793131.643	8514166.312	
3143	1/2" IRON REBAR IN CONCRETE	INITIAL POINT, NE COR., L. 1, NORRIS REPLAT & SE COR., L. 1, BLK. 1, ALLEMAN ADD., INITIAL POINT	793029.377	8513708.327	
3144	1 1/4" IRON PIPE	CL CUL-DA-SAC, SE EIGHTH ST., CASSENS SECOND ADD. & CASSENS 1ST ADD.	793861.356	8513722.245	
3145	1 1/4" IRON PIPE	CL CUL-DA-SAC, CASSENS COURT, CASSENS 1ST ADD.	793654.522	8513336.169	
3146	2" IRON PIPE	INITIAL POINT, SE COR. L. 7, BLK. 1, CASSENS 2ND ADD. & INITIAL POINT, NW COR., L. 4, BLK. 3, HIGHLAND HILLS 16.18' NORTH OF THE SE COR., L. 4, CHRISTA ESTATES	793549.956	8514394.001	
3147	5/8" IRON REBAR PLASTIC CAP 2431	INITIAL POINT, SE COR., L. 4, CHRISTA ESTATES	793911.999	8513597.241	
3229	RR SPIKE	CL 4TH & NEWPORT STREETS	794203.850	8513052.049	

#	TRUE BEARING & DISTANCE	OF RECORD PLAT OR COMPUTED FROM PLAT
3099	S 0°02'12" E 2652.62'	
3138	S 89°23'49" E 2659.99'	EAST 2654.8' HERMISTON ORCHARDS SEE NARRATIVE
3083	N 0°24'07" E 2653.61'	
3086	N 0°02'44" E 2648.30'	
3087	S 7°48'55" W 2036.85'	
3113	S 52°37'51" W 486.68'	S 52°00'05" W 487.30' RIDGEWAY TRACTS
3115	S 79°57'02" W 522.64'	S 79°09'32" W 521.30' RIDGEWAY TRACTS
3115	S 0°42'39" W 201.95'	S 0°00'00" W 200.44' RIDGEWAY TRACTS S 0°40'22" W 201.95' REPLAT "G"
3107	S 89°25'14" E 383.00'	N 90°00'00" E 384.00' RIDGEWAY TRACTS
3108	S 89°25'36" E 255.74'	N 90°00'00" E 256.00' RIDGEWAY TRACTS
3110	S 86°14'57" E 541.22'	S 86°49'55" E 542.83' RIDGEWAY TRACTS
3086	S 28°24'13" W 347.68'	
3122	N 89°53'23" W 313.95'	319.63' HERMISTON ORCHARDS 313.71' REPLATS "A" & "E"
3121	N 89°07'43" W 254.51'	255.40' HERMISTON ORCHARDS 254.72' REPLATS "A" & "B"
3120	N 89°06'49" W 63.88'	N 89°11'20" W 63.93' REPLAT "B"
3118	S 68°44'49" W 548.55'	S 68°46'49" W 548.37' MEYER SUBDIVISION
3117	N 75°35'05" E 594.13'	N 75°35'01" E 593.28' MEYER SUBDIVISION & REPLAT "F"
3119	S 12°38'03" E 282.56'	S 12°44'48" E 282.75' REPLAT "F"
3129	S 89°19'02" E 127.27'	S 89°18'28" E 127.41' MCMASTERS ADDITION
3127	S 89°16'24" E 127.47'	S 89°18'28" E 127.41' MCMASTERS ADDITION
3126	S 11°08'17" E 2062.24'	
3083	N 23°59'36" W 1616.71'	
3132	S 57°01'44" E 215.31'	S 57°52'09" E 215.26' HIGHLAND VISTA 1
3133	N 58°53'51" E 531.54'	N 58°03'15" E 531.57' HIGHLAND VISTA 1 & 2
3135	N 49°47'33" W 493.92'	N 50°38'45" W 493.95' HIGHLAND VISTA 2 HIGHLAND VILLA
3125	S 24°19'34" W 315.77'	S 23°25'10" W 315.66' HIGHLAND VISTA 1 & 2 BARTELT REPLAT
3134	N 0°31'07" E 289.32'	N 0°24'04" W 289.33' BARTELT REPLAT
3128	N 37°57'04" E 886.07'	
3086	S 89°19'25" W 1367.01'	
3106	S 0°29'39" W 277.52'	S 0°24'32" W 277.52' HARMON ADDITION
3116	N 80°01'45" W 537.19'	
3105	S 58°17'32" W 769.03'	S 57°40'00" W 770.33' CORNECL ADDITION
3103	N 11°24'34" W 644.84'	N 12°04'13" W 644.90' CORNECL ADDITION
3099	S 89°24'11" E 530.25'	N 89°53'00" E 530.00' NULL ADDITION
3100	S 55°51'04" W 219.20'	S 55°08'02" W 219.30' NULL ADDITION
3101	S 21°01'40" E 250.62'	S 21°45'16" E 251.11' NULL ADDITION
3104	S 55°21'59" W 532.76'	S 54°39'08" W 532.60' NULL ADDITION
3102	S 0°02'16" E 1987.34'	
3138	N 85°10'34" E 348.23'	N 85°00'47" E 348.24' NORRIS REPLAT
3137	N 68°46'24" E 311.77'	N 68°36'44" E 311.75' NORRIS REPLAT
3143	N 18°47'02" W 381.53'	N 18°58'06" W 381.59' ALLEMAN ADDITION
3140	S 45°38'27" W 719.97'	S 45°10'07" W 715.78' ALLEMAN ADDITION, 1/4 COR WAS 5.9' E OF EXIST. MON. (SEE NARRATIVE)
3138	N 77°47'11" E 1122.53'	
3142	N 0°20'54" W 260.00'	N 0°28'47" W 260.00' GREEN ACRES

#	TRUE BEARING & DISTANCE	OF RECORD PLAT OR COMPUTED FROM PLAT
3141	N 56°41'13" E 281.92'	N 56°23'16" E 280.52' GREEN ACRES 0.63' GAP BETWEEN GREEN ACRES & HIGHLAND HILLS ON CASSENS SURVEY
3146	S 62°53'13" E 1492.74'	S 63°04'55" E 1494.38' NOTE: PL. #146 IS NOT MON. OF GREEN ACRES
3083	N 86°49'18" W 665.04'	
3136	N 45°55'50" W 925.11'	N 46°49'08" W 925.50' HIGHLAND HILLS
3146	N 0°24'38" E 658.82'	N 0°26'42" W 658.98' HIGHLAND HILLS
3131	S 0°24'38" W 658.82'	S 0°26'42" E 658.98' CASSENS 2
3146	N 64°15'38" W 740.46'	N 65°06'52" W 740.44' CASSENS 2
3144	S 62°41'22" W 438.01'	S 61°48'42" W 438.09' CASSENS 1
3145	S 19°34'57" W 820.36'	S 18°19'49" W 818.11' CASSENS 1 NOTE: 1/4 COR. WAS 5.90' E ON CASSENS SURVEY
3138	N 1°46'41" E 870.68'	N 0°54'37" E 871.42' REPLAT "H" N 1°04'28" E 871.47' CHRISTA ESTATES
3139	N 73°04'01" E 536.15'	N 72°11'23" E 533.57' CHRISTA ESTATES NOTE: THERE IS A 2.5' GAP BETWEEN CHRISTA & REPLAT "H"
3147	N 62°08'32" W 577.60'	N 63°00'56" W 577.54' CHRISTA ESTATES
3130	N 89°21'04" E 1306.69'	
3131	N 45°36'26" E 1878.91'	
3086	S 0°24'07" W 2653.62'	
3083	N 30°55'08" W 2511.20'	N 30°55'55" W 2511.26' MEYER SUBDIV.
3117	S 75°17'10" W 131.45'	S 74°32'45" W 131.35' CORNECL ADD.
3102	N 0°02'00" W 665.29'	N 0°45'00" W 665.70' NULL ADD.
3099	N 89°25'06" W 580.81'	N 89°35'00" W 581.00' GREEN ACRES & ALLEMAN ADD.
3140	N 1°17'34" E 1296.65'	N 0°25'39" E 1296.61' CHRISTA ESTATES
3130	S 77°25'51" W 653.27'	S 77°10'38" W 647.81' ALLEMAN ADD. NOTE: 1/4 COR. WAS 5.9' E

MAP 5
 SURVEY FOR UMATILLA COUNTY
 IN E 1/2, SEC. 11, T 4 N, R 28 E, W.M.,
 UMATILLA COUNTY, OREGON
 6/30/04 JOB #S0312296
 EDWARDS SURVEYING P.O. BOX 763
 541-567-3336 HERMISTON, OR 97838
 DRAWN BY NJF

Date: 1-05
 Drawn by: AK
 No. 05-013-9

T4N R28E
3
10

T4N R28E
3
10

T4N R28E
10
11

T4N R28E
10
15

T4N R28E
10
11

T4N R28E
10
11

NARRATIVE:

THIS MAP IS PART OF MY CONTRACT WITH UMATILLA COUNTY TO ESTABLISH NGS STATE PLANE COORDINATES ON TWO MONUMENTS IN EACH SUBDIVISION IN THE CITY OF HERMISTON. THE CONTROL USED WAS SET BY CASWELL IN 1993 FOR THE HERMISTON WATER PROJECT. THE STATIONS USED ARE SHOWN ON SHEET 1 AND ARE ON FILE AT THE COUNTY SURVEYORS OFFICE. DATA WAS COLLECTED BY REAL TIME KINEMATIC WITH A TOPCON HIPER+ G.P.S. SYSTEM. THE OREGON STATE PLANE COORDINATES, NORTH ZONE (NAD 83/91) ARE LISTED BELOW. THE COMBINED SCALE FACTOR IS .99994502 AND THETA IS 0° 51' 15" AT POINT 3165. THERE ARE THREE PROBLEMS ON THIS MAP.

1. THE NE CORNER OF SECTION 10 WAS 12.2 FEET SOUTH OF ITS PRESENT LOCATION WHEN "OSBURN TRACTS", "WINONA ADD.", AND "CAMPBELL-TILLER" WERE SURVEYED. SURVEYORS HAVE GIVEN THE WHOLE 12+ FEET TO THE MOST NORTHERLY TIER OF LOTS IN "OSBURN TRACTS" BECAUSE MONUMENTS WERE FOUND ALONG THE SOUTH LINE OF THAT NORTH TIER.
2. THE NORTH 1/4 CORNER OF SECTION 10 WAS ABOUT 12 FEET SOUTH OF ITS PRESENT LOCATION WHEN "HARTLEY ADDITION" WAS PLATED, MAKING 12 EXTRA FEET BETWEEN THE PLAT AND THE SECTION LINE.
3. WHEN I SURVEYED THE PLAT OF "THE REPLAT OF LOTS 8, 9, AND 10 BLOCK 15, ORIGINAL TOWN OF HERMISTON" (NOW "M&B SUBDIVISION"), I LEFT A 2.73 FOOT GAP BETWEEN THE ORIGINAL TOWN AND "THE FIRST ADDITION TO HERMISTON".

REGISTERED
PROFESSIONAL
LAND SURVEYOR

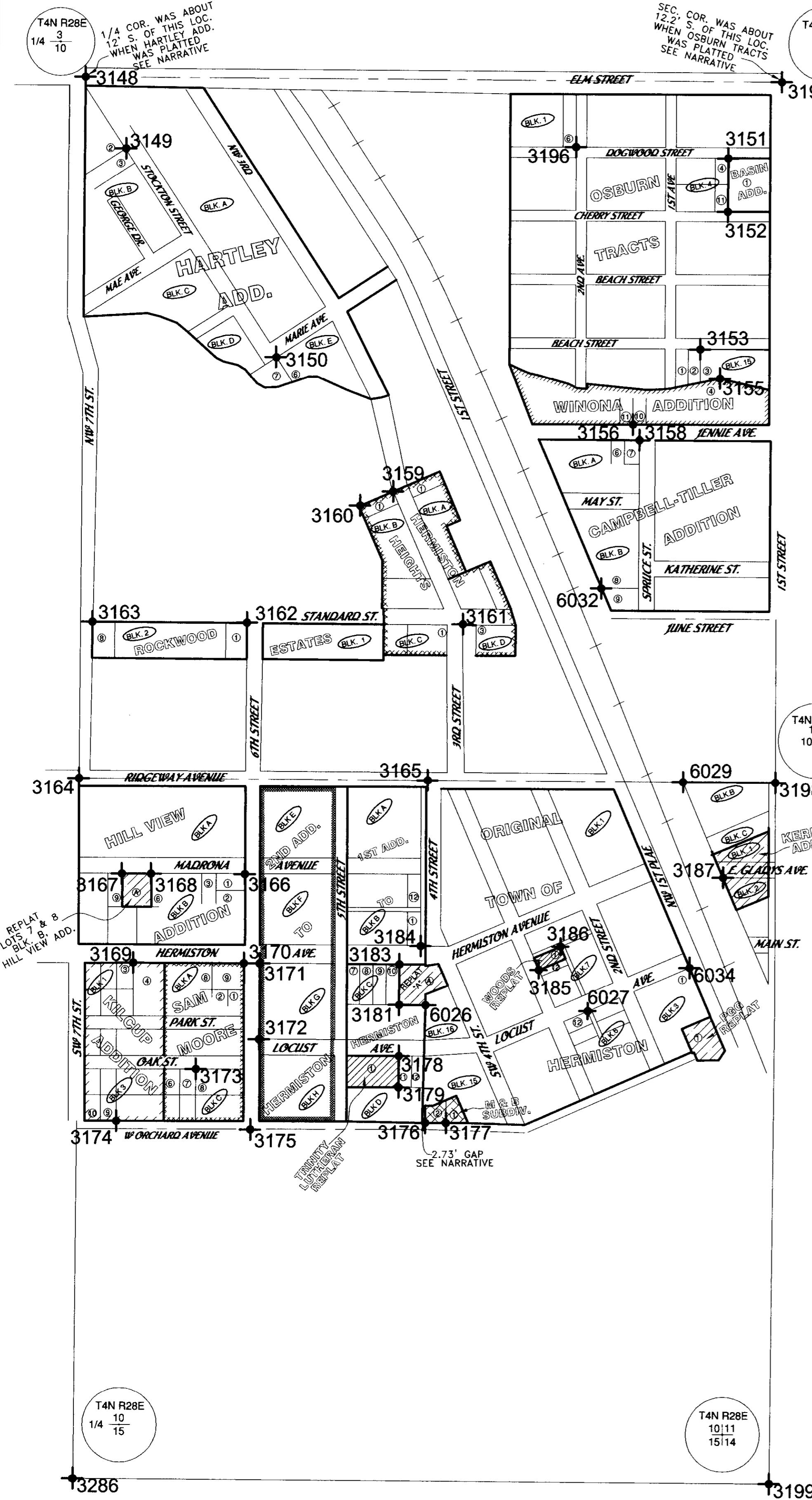
G. Dennis Edwards

OREGON
JULY 16, 1971
G. DENNIS EDWARDS
9 5 1
RENEWS 12/31/2003

LEGEND:

★ FOUND MONUMENTS AS NOTED

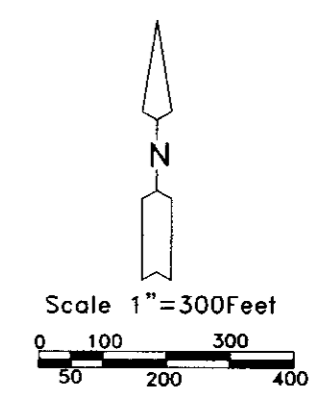
REPLAT "A" REPLAT OF BLK. 16, LOTS 1, 2, 3, 4, ORIG TOWN OF HERMISTON, & REPLAT BLK. C, LOTS 11, 12, OF 1ST ADD. TO HERMISTON



#	MONUMENT	CORNER	STATE PLANE COORDINATES "NORTH ZONE" NAD 83/91 N E
3148	2 1/2" BRASS CAP IN MON. BOX	N 1/4 COR. SEC. 10	798135.148 8507736.941
3149	1/2" IRON REBAR	NE COR. LOT 3, BLK. B, HARTLEY ADD.	797876.902 8507909.280
3150	1 1/4" IRON PIPE	NW COR. LOT 6, BLK. E, HARTLEY ADD.	797092.650 8508473.388
3151	X IN CONCRETE	NW COR. L 1, BASIN ADD. & NE COR. L 4, BLK. 4, OSBURN TRACTS	797868.983 8510178.800
3152	X IN CONCRETE	SW COR. L 1, BASIN ADD. & SE COR. L 11, BLK. 4, OSBURN TRACTS	797669.134 8510180.159
3153	5/8" IRON REBAR PLASTIC CAP (951)	NE COR. L 2, BLK. 15, OSBURN TRACTS	797149.031 8510084.824
3155	5/8" IRON REBAR PLASTIC CAP (951)	ANGLE POINT ON NORTH LINE WINONA ADDITION	797039.417 8510161.877
3156	5/8" IRON REBAR PLASTIC CAP (951)	SE COR. L 11, WINONA ADDITION	796858.956 8509834.524
3158	5/8" IRON REBAR	NE COR. L 7, BLK. A, CAMPBELL-TILLER ADDITION	796800.402 8509860.275
3159	1/2" IRON REBAR	NE COR. L 1, BLK. B, HERMISTON HEIGHTS	796590.336 8508929.669
3160	1/2" IRON REBAR OVER 3/4" I. PIPE	NW COR. L 1, BLK. B, HERMISTON HEIGHTS	796535.078 8508806.004
3161	1/2" IRON REBAR IN SIDEWALK	SE COR. INTERSECTION OF STANDARD AND NE 3RD ST., HERMISTON HEIGHTS	796092.614 8509203.337
3162	5/8" IRON REBAR	NE COR. BLK. 2, ROCKWOOD ESTATES	796083.863 8508385.004
3163	5/8" IRON REBAR	NW COR. BLK. 2, ROCKWOOD ESTATES INITIAL POINT	796077.326 8507800.182
3164	1/2" IRON REBAR	CENTER 1/4 CORNER SECTION 10	795487.067 8507760.215
3165	5/8" IRON REBAR	CENTER EAST 1/16 SECTION 10	795501.621 8509080.656
3166	1" PIPE	NE COR. L 1, BLK. B, HILL VIEW ADD.	795135.321 8508394.351
3167	5/8" IRON REBAR PLASTIC CAP (951)	NE COR. L 9, BLK. B, HILL VIEW ADD. & NW COR. LOT A, REPLAT LOTS 7 & 8	795129.491 8507929.048
3168	5/8" IRON REBAR PLASTIC CAP (951)	NW COR. L 6, BLK. B, HILL VIEW ADD. & NE COR. LOT A, REPLAT LOTS 7 & 8	795130.943 8508039.075
3169	1/2" IRON REBAR	NE COR. L 3, BLK. 1, KILCUP ADD.	794793.238 8507977.675
3170	2" PIPE	NE COR. L 9, BLK. A, SAM MOORE ADD.	794798.022 8508396.157
3171	CONCRETE NAIL IN WALK	NW COR. BLK. G, HERMISTON 2ND ADD.	794798.618 8508456.131
3172	CONCRETE NAIL IN WALK	SW COR. BLK. G, HERMISTON 2ND ADD.	794512.212 8508458.539
3173	1" PIPE	NW COR. L 8, BLK. C, SAM MOORE ADD.	794395.816 8508221.933
3174	1/2" IRON REBAR	SE COR. L 9, BLK. 3, KILCUP ADD.	794194.747 8507923.962
3175	NAIL IN 4" PIPE	CENTERLINE W. ORCHARD, & SW 6TH STREET	794170.960 8508431.492
3176	5/8" IRON REBAR PLASTIC CAP (951)	SW COR. L 11, BLK. D, HERMISTON 1ST ADD. & NE COR. L 1, TRINITY 1ST ADD. TO HERMISTON	794207.712 8509093.828
3177	5/8" IRON REBAR	SE COR. LOT 2 M&B SUBDIV.	794208.500 8509172.402
3178	5/8" IRON REBAR PLASTIC CAP (951)	NW COR. L 11, BLK. D, HERMISTON 1ST ADD. & NE COR. L 1, TRINITY LUTHERAN REPLAT	794457.981 8508989.328
3179	5/8" IRON REBAR PLASTIC CAP (951)	SW COR. L 11, BLK. D, HERMISTON 1ST ADD. & SE COR. L 1, TRINITY LUTHERAN REPLAT	794339.834 8508990.197
3181	1/2" IRON REBAR	1ST ADD. TO HERMISTON, & 3' WEST OF SW COR., REPLAT "A"	794650.866 8508987.113
3183	1/2" IRON REBAR	1ST ADD. TO HERMISTON, & 3' WEST OF NW COR., REPLAT "A"	794803.970 8508985.795
3184	1/2" IRON REBAR	SE COR. L 1, BLK. B, HERMISTON FIRST ADD.	794874.785 8509065.099
3185	5/8" IRON REBAR	SW COR. L 1, WOODS REPLAT & ORIGINAL TOWN OF HERMISTON	794792.069 8509514.405
3186	5/8" IRON REBAR	NE COR. L 1, WOODS REPLAT & NE COR. L 10, BLK. 7, ORIGINAL TOWN OF HERMISTON	794882.249 8509595.092
3187	5/8" IRON REBAR PLASTIC CAP (48509)	NW COR. BLK. 2, KERN'S ADD., ALSO NW COR. REPLAT BLK. 2 & ORIG TOWN	795154.095 8510207.657
3196	5/8" IRON REBAR	SE COR. BLK. 1, OSBURN TRACT HOMESITE	797903.756 8509599.198
3197	2 1/2" BRASS CAP	NE COR., SEC. 10	798163.543 8510376.775
3198	2 1/2" BRASS CAP	E 1/4 COR., SEC. 10	795516.403 8510399.643
3199	2 1/2" BRASS CAP	SE COR., SEC. 10	792866.525 8510422.375
3286	2 1/2" BRASS CAP	S 1/4 COR., SEC. 10	792840.536 8507783.212
6026	5/8" IRON REBAR McKinnis	SE COR., LOT 12, BLK. C, 1ST ADD. TO HERMISTON, & SOUTHERLY SE COR. REPLAT "A"	794651.838 8509087.118
6027	5/8" IRON REBAR CAP #951	NE COR. L 12, BLK. 6, ORIGINAL TOWN OF HERMISTON	794640.114 8509702.448
6029	5/8" IRON REBAR CAP #951	NW COR. BLK. B, ORIGINAL TOWN OF HERMISTON	795512.425 8510048.792
6032	3/4" IRON REBAR	NW COR. LOT 9, BLK. B, CAMPBELL-TILLER ADDITION	796237.907 8509725.097
6034	POCK MARK IN SIDEWALK	NE COR. BLK. 3, ORIGINAL TOWN OF HERMISTON & SHOWN ON PGG REPLAT	794810.261 8510086.652

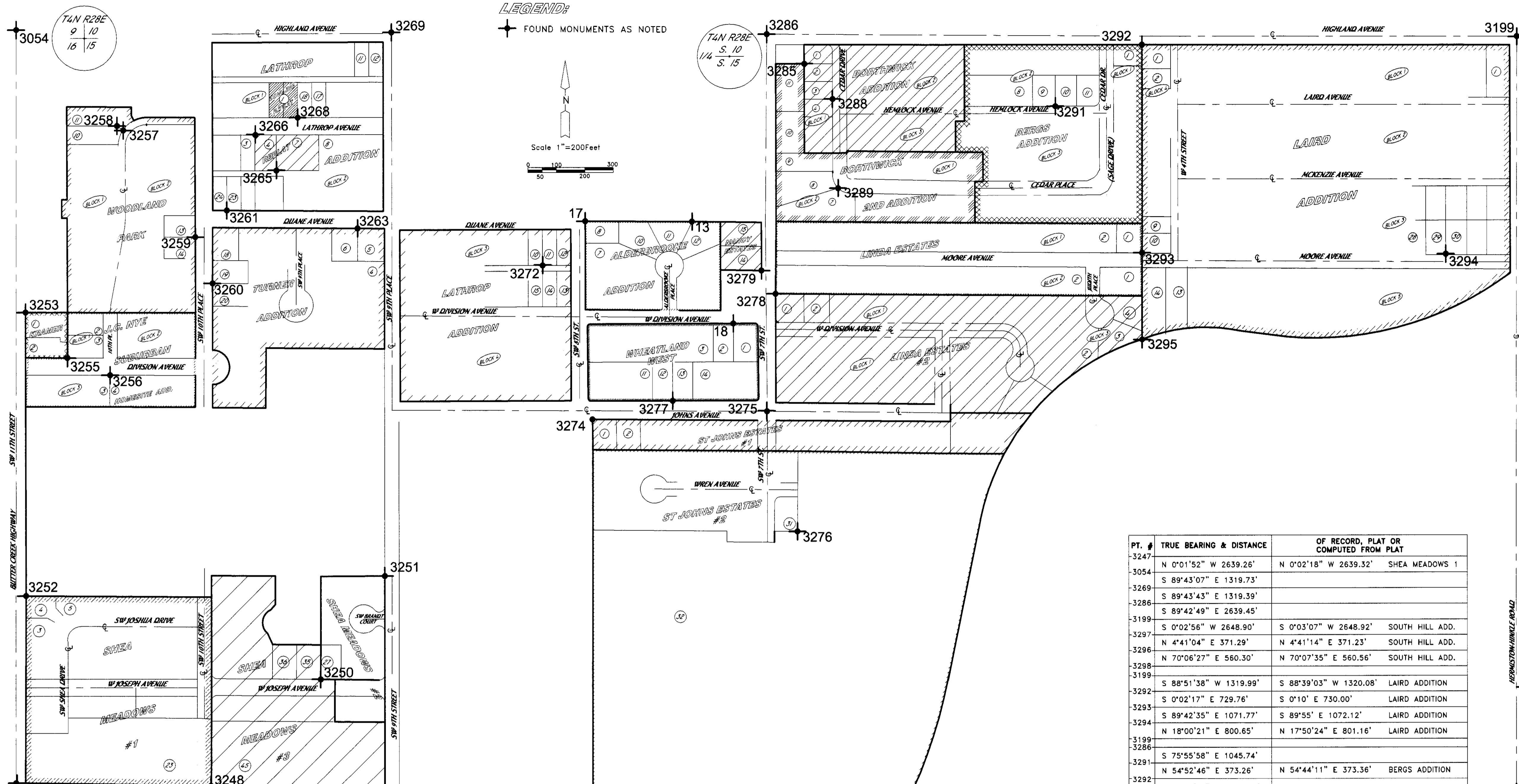
#	TRUE BEARING & DISTANCE	RECORD FROM PLAT OR COMPUTED FROM PLAT
3197	S 0°21'33" W 2647.38'	S 0°36'13" W 2647.37' BASIN ADDITION
3198	S 0°21'46" W 2650.12'	
3199	N 89°42'36" W 2639.44'	
3286	N 0°21'23" E 2646.78'	
3164	N 0°21'02" E 2648.33'	
3148	S 89°45'44" E 2640.13'	S 89°31'00" E 2640.16' BASIN ADDITION
3197	S 34°45'34" W 354.93'	S 35°00'43" W 354.90' BASIN ADDITION
3151	S 0°27'53" W 199.86'	S 0°42'23" W 199.86' OSBURN TRACTS
3152	S 11°14'28" W 528.80'	S 11°24'04" W 529.59' OSBURN TRACTS
3153	N 31°54'18" W 897.51'	N 31°46'07" W 898.65' OSBURN TRACTS
3196	N 72°22'47" E 819.87'	N 73°22'57" E 816.18' OSBURN TRACTS
3197	S 11°40'36" W 1144.55'	
3155	S 61°59'14" W 373.82'	S 62°15'35" W 375.75' WINONA ADDITION
3156	S 22°53'07" E 63.97'	
3158	S 14°22'02" W 578.54'	S 14°16'15" W 577.20' CAMPBELL-TILLER ADD.
3197	N 19°33'04" E 2033.03'	N 19°38'53" E 2020.43' CAMPBELL-TILLER ADD.
3148	N 89°45'44" W 2640.13'	N 89°31'00" W 2640.16' BASIN ADDITION
3149	S 32°51'46" E 310.49'	S 29°36'08" E 298.15' HARTLEY ADDITION
3150	S 34°52'23" E 966.11'	S 36°04'46" E 966.36' HARTLEY ADDITION
3160	S 29°57'49" E 649.28'	
3160	N 66°46'38" E 135.46'	N 66°57'00" E 135.62' HERMISTON HEIGHTS
3159	S 27°56'59" E 568.03'	S 27°52'27" E 567.40' HERMISTON HEIGHTS
3161	S 63°25'40" E 1327.92'	
3198	N 73°24'54" W 2093.15'	
3162	N 89°47'11" W 584.89'	N 89°40'13" W 585.00' ROCKWOOD ESTATES
3163	N 0°54'22" W 2058.91'	N 0°47'10" W 2058.60' ROCKWOOD ESTATES
3148	S 0°21'02" W 2648.33'	
3164	S 89°46'38" E 1320.59'	
3165	S 89°47'17" E 1319.14'	N 89°26'03" E 1319.15' "TOWNE CENTRE" SURVEY
3198	N 89°47'43" W 350.89'	WEST 351.1' 1319.7' ORIG TOWN HERMISTON, SEC. 10
6029	S 23°03'21" E 391.99'	S 23°50'34" E 391.99' "TOWNE CENTRE" SURVEY
3187	N 28°46'23" E 410.05'	
3198	S 24°45'33" W 772.44'	
6034	S 66°58'03" W 420.21'	420.00' ORIG TOWN HERMISTON, SEC. 10
6027	N 23°03'27" W 264.88'	265.00' ORIG TOWN HERMISTON, SEC. 10
3186	N 38°51'29" W 805.19'	
3165	S 0°25'06" W 849.85'	849.6' 1ST ADD. TO HERMISTON
6026		

#	TRUE BEARING & DISTANCE	RECORD FROM PLAT OR COMPUTED FROM PLAT
6026	S 0°00'37" E 444.20'	443.28' 1ST ADD. TO HERMISTON
3176	S 89°43'14" E 78.59'	S 89°57'25" E 78.59' M & B SUBDIVISION
3177	S 42°06'46" E 1834.04'	
3199	N 43°52'29" W 1887.92'	
3176	N 37°15'13" W 167.92'	N 36°59'19" W 166.21' 1ST ADD. TO HERMISTON
3179	N 0°25'59" E 118.16'	N 0°00'00" E 117.76' 1ST ADD. TO HERMISTON
3178	N 0°11'46" E 192.91'	N 0°07'43" E 118.04' TRINITY LUTHERAN REPLAT
3181	S 89°42'11" E 100.02'	N 0°00'00" E 192.76' 1ST ADD. TO HERMISTON
6026	S 89°42'11" E 100.02'	N 90°00'00" E 100.00' 1ST ADD. TO HERMISTON
3184	N 4°47'13" W 224.04'	N 5°07'13" W 224.09' 1ST ADD. TO HERMISTON
3165	N 2°16'33" E 627.06'	N 1°49'40" E 627.02' 1ST ADD. TO HERMISTON
3164	N 89°46'38" W 1320.59'	
3171	S 44°27'18" E 978.96'	
3172	S 0°22'21" W 286.43'	SOUTH 285.96' 2ND ADD. TO HERMISTON
3175	S 5°23'09" W 342.34'	S 5°02'05" W 341.85' 2ND ADD. TO HERMISTON
3175	S 26°49'58" W 1480.05'	
3286	N 16°36'26" E 1616.06'	
3173	N 24°16'30" E 438.34'	N 24°22'40" E 438.63' SAM MOORE ADDITION
3170	N 0°32'51" E 337.32'	NORTH 336.8' HILL VIEW ADDITION
3166	N 89°51'06" W 355.32'	WEST 355.00' HILL VIEW ADDITION
3168	N 89°54'08" W 110.04'	WEST 110.09' REPLAT LOTS 7, 8, BLK. B, HILL VIEW
3167	N 24°25'14" W 395.45'	
3164	S 16°32'52" E 727.15'	
3169	S 5°58'57" W 600.93'	S 5°53'39" W 599.49' KILCUP ADDITION
3174	S 6°47'16" W 1361.58'	
3286		



MAP 6
SURVEY FOR UMATILLA COUNTY
IN E 1/2, SEC. 10, T 4 N, R 28 E, W.M.,
UMATILLA COUNTY, OREGON
6/30/2004 JOB# S0312296
EDWARDS SURVEYING P.O. BOX 763
541-567-3336 HERMISTON, OREGON 97838
DRAWN BY NJF

Drawn by: NJF
Date: 1-05
Book: 05-013-9



LEGEND:
 FOUND MONUMENTS AS NOTED

Scale 1"=200Feet

T4N R28E
 10 11
 15 14

T4N R28E
 9 10
 16 15

T4N R28E
 S. 10
 1/4
 S. 15

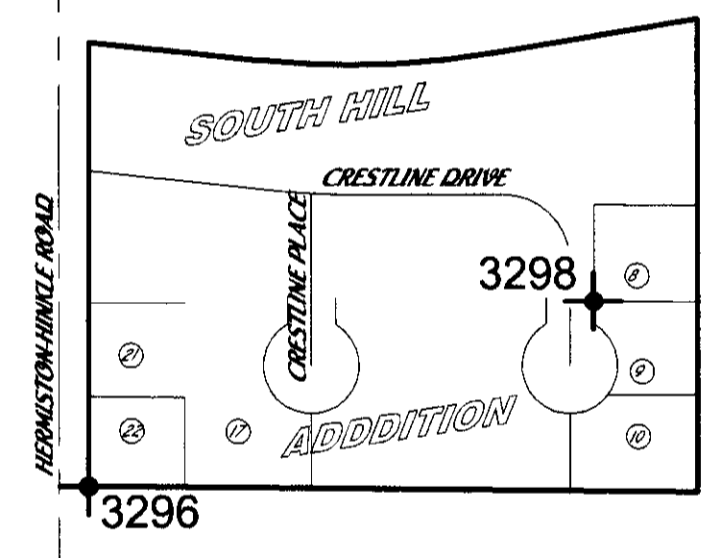
NARRATIVE:

THIS MAP IS PART OF MY CONTRACT WITH UMATILLA COUNTY TO ESTABLISH NGS STATE PLANE COORDINATES ON TWO MONUMENTS IN EACH SUBDIVISION IN THE CITY OF HERMISTON.
 THE CONTROL USED WAS SET BY CASWELL IN 1993 FOR THE HERMISTON WATER PROJECT AND ARE SHOWN ON SHEET ONE. THEY ARE ON RECORD AT THE COUNTY SURVEYORS OFFICE.
 DATA WAS COLLECTED BY REAL TIME KINEMATIC WITH A TOPCON HIPER+ G.P.S. SYSTEM. THE OREGON STATE PLANE COORDINATES, NORTH ZONE (NAD 83/91) ARE LISTED BELOW.
 THE COMBINED SCALE FACTOR FOR THIS MAP IS .9999414 AND THETA IS 0° 51' 02" AT POINT # 3275.

REGISTERED
 PROFESSIONAL
 LAND SURVEYOR

G. Dennis Edwards

OREGON
 JULY 16, 1971
 G. DENNIS EDWARDS
 9 S 1
 RENEWS 12/31/2005



PT. #	TRUE BEARING & DISTANCE	OF RECORD, PLAT OR COMPUTED FROM PLAT
3247	N 0°01'52" W 2639.26'	N 0°02'18" W 2639.32' SHEA MEADOWS 1
3054	S 89°43'07" E 1319.73'	
3269	S 89°43'43" E 1319.39'	
3286	S 89°42'49" E 2639.45'	
3297	S 0°02'56" W 2648.90'	S 0°03'07" W 2648.92' SOUTH HILL ADD.
3298	N 4°41'04" E 371.29'	N 4°41'14" E 371.23' SOUTH HILL ADD.
3296	N 7°0'06'27" E 560.30'	N 7°0'07'35" E 560.56' SOUTH HILL ADD.
3298	S 88°51'38" W 1319.99'	S 88°39'03" W 1320.08' LAIRD ADDITION
3292	S 0°02'17" E 729.76'	S 0°10' E 730.00' LAIRD ADDITION
3293	S 89°42'35" E 1071.77'	S 89°55' E 1072.12' LAIRD ADDITION
3294	N 18°00'21" E 800.65'	N 17°50'24" E 801.16' LAIRD ADDITION
3286	S 75°55'58" E 1045.74'	
3291	N 54°52'46" E 373.26'	N 54°44'11" E 373.36' BERGS ADDITION
3292	N 88°17'17" W 1320.27'	
3286	S 51°16'55" E 166.96'	S 51°26'52" E 166.74' BORTHWICK ADD. & BORTHWICK 2ND ADD.
3285	S 38°36'35" E 159.72'	S 38°59'07" E 159.71' BORTHWICK ADD.
3288	N 45°05'13" W 324.69'	N 45°21'05" W 324.53' BORTHWICK ADD.
3286	S 24°57'45" E 596.66'	S 25°21'57" E 595.57' BORTHWICK 2ND ADD.
3298	S 70°58'16" W 2759.53'	S 70°46'34" W 2759.63' LINDA EST. 2
3278	N 1°55'29" W 913.44'	
3286	S 59°46'21" E 1527.91'	
3293	S 83°38'25" W 1297.47'	S 83°26'39" W 1297.35' LINDA EST.
3278	S 82°54'59" E 1299.37'	S 83°06'49" E 1299.12' LINDA EST. 2
3295	N 50°53'30" W 1701.29'	
3286	S 44°14'23" W 917.09'	
17	S 89°33'47" E 375.26'	S 89°43'50" E 375.14' ALDERBROOKE
13	S 55°16'00" E 298.10'	S 55°24'41" E 298.20' ALDERBROOKE & NANCY ESTATES
3279	N 1°21'09" E 829.97'	
3286	S 6°30'47" W 1028.08'	
18	S 38°46'33" W 344.14'	S 38°01'25" W 344.19' WHEATLAND WEST
3277	N 14°26'29" E 1331.81'	
3286	S 0°00'41" W 1322.19'	S 0°01'08" W 1322.12' ST. JOHNS 1
3275	S 87°31'30" W 614.71'	S 87°32'35" W 614.50' ST. JOHNS 1
3274	N 24°29'28" E 1482.08'	N 24°29'40" E 1481.83' ST. JOHNS 1
3286	S 3°27'59" E 1750.06'	S 3°27'14" E 1749.85' ST. JOHNS 1 & 2
3276	N 61°04'01" W 822.93'	N 61°02'51" E 822.61' ST. JOHNS 2
3274	N 24°29'28" E 1482.08'	N 24°29'40" E 1481.83' ST. JOHNS 1
3286	S 44°12'28" W 1132.13'	
3272		

T4N R28E
 1/4
 S. 15 S. 14

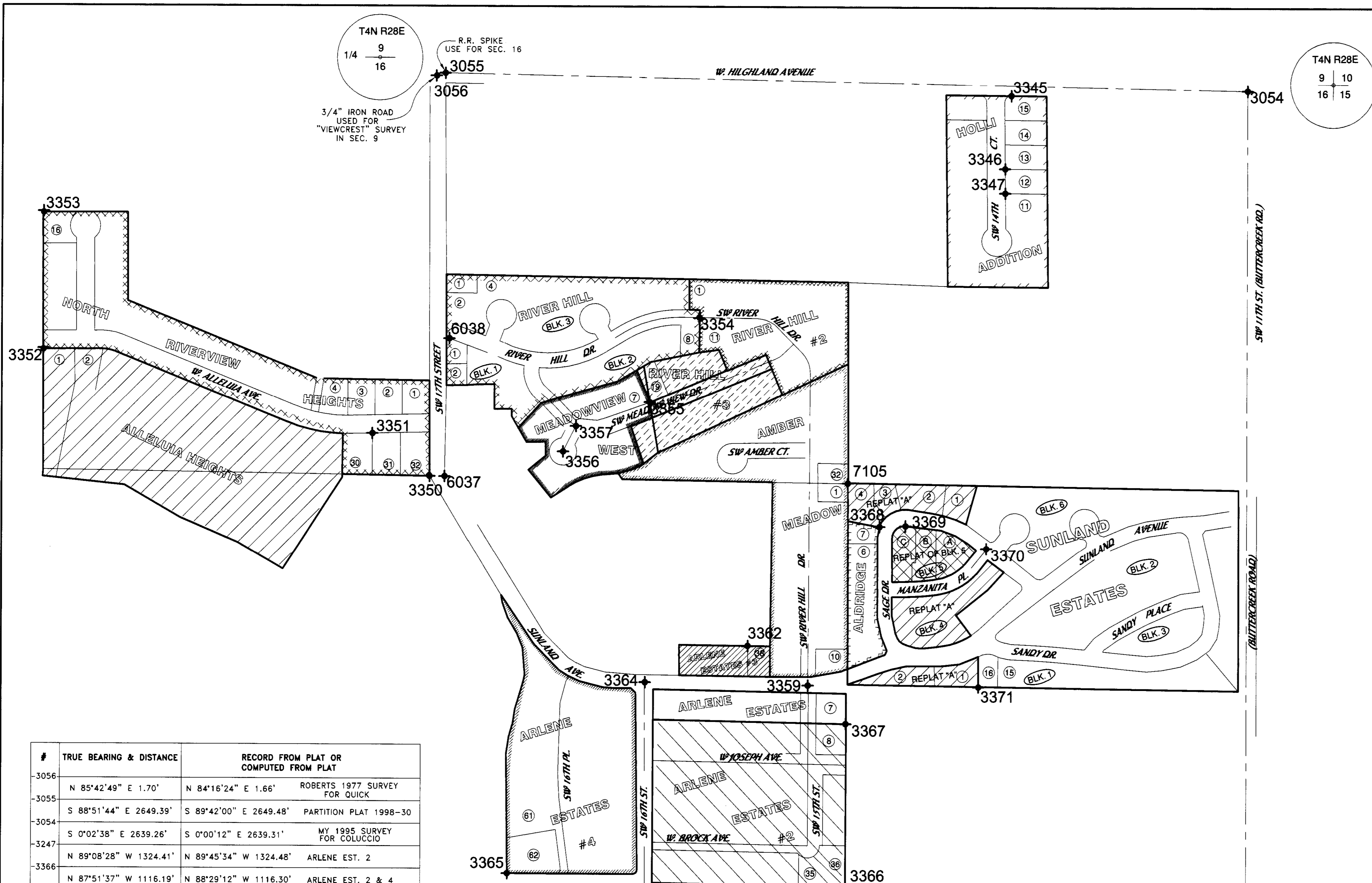
PT. #	TRUE BEARING & DISTANCE	OF RECORD, PLAT OR COMPUTED FROM PLAT
3272	N 80°14'37" W 1126.09'	N 80°14'45" W 1126.27' LATHROP ADD.
3261	N 20°33'01" E 286.27'	N 20°27'49" E 286.03' LATHROP ADD.
3266	N 68°28'55" E 160.71'	N 68°27'27" E 161.26' LATHROP ADD.
3268	N 72°47'58" W 1036.24'	N 72°47'16" W 1036.40' LATHROP ADD.
3054	S 37°51'04" E 1125.01'	S 37°49'23" E 1124.94' TURNER ADD.
3260	N 69°20'20" E 544.63'	N 69°22'13" E 544.61' TURNER ADD.
3263	N 59°52'45" W 1387.24'	N 59°51'02" W 1387.18' TURNER ADD.
3054	S 46°57'58" E 516.21'	S 47°11'45" E 516.22' WOODLAND PARK
3257	S 33°59'09" E 451.53'	S 34°11'51" E 451.53' WOODLAND PARK
3259	N 40°54'42" W 961.56'	N 41°07'58" W 961.56' WOODLAND PARK
3054	S 1°53'38" E 990.67'	S 2°06'31" E 990.70' J.C. NYE SUBURBAN HOMESITE
3253	S 42°30'56" E 217.94'	S 42°39'11" E 217.78' J.C. NYE SUBURBAN HOMESITE
3255	S 67°57'26" E 161.73'	S 68°10'08" E 161.81' J.C. NYE SUBURBAN HOMESITE
3256	N 15°14'04" W 1255.59'	N 15°26'11" W 1255.67' J.C. NYE SUBURBAN HOMESITE
3054	S 0°59'13" E 1979.96'	S 0°59'36" E 1979.99' SHEA MEADOWS 1
3252	S 2°50'06" W 660.41'	S 2°49'32" W 660.43' SHEA MEADOWS 1
3247	S 89°36'50" E 684.55'	S 89°37'11" E 684.52' SHEA MEADOWS 1
3248	N 46°19'32" E 532.35'	N 46°19'13" E 532.30' SHEA MEADOWS 2
3250	N 31°41'38" E 427.21'	N 31°39'44" E 427.17' SHEA MEADOWS 2
3251	S 60°41'20" W 1484.01'	S 60°40'38" W 1483.81' SHEA MEADOWS 2
3247		

#	MONUMENT	CORNER	STATE PLANE COORDINATES "NORTH ZONE" NAD 83/91
3054	2 1/2" BRASS CAP	NW COR SEC 15	792814.095 8505144.380
3199	2 1/2" BRASS CAP	NE COR SEC 15	792866.525 8510422.375
3247	2" ALUMINUM CAP	W 1/4 COR SEC 15	790175.302 8505184.994
3248	5/8" IRON REBAR PLASTIC CAP (1106)	SE COR. L 23, SHEA MEADOWS #1 & SW COR. L 45, SHEA MEADOWS #3	790180.850 8505869.485
3250	5/8" IRON REBAR PLASTIC CAP (1106)	SW COR. L 27, SHEA MEADOWS, PHASE 2 & SE COR. L 35, SHEA MEADOWS, PHASE 3	790554.119 8506248.996
3251	5/8" IRON REBAR PLASTIC CAP (1106)	NE COR. L 32, SHEA MEADOWS PHASE 2	790920.891 8506468.011
3252	5/8" IRON REBAR PLASTIC CAP (1106)	NW COR. L 4, SHEA MEADOWS PHASE 1, INITIAL POINT	790835.273 8505207.862
3253	5/8" IRON REBAR	INITIAL POINT, NW COR. L 1,	791824.619 8505191.813
3255	5/8" IRON REBAR PLASTIC CAP (951)	SE COR. L 2, KRAMER REPLAT & SW COR. L 3, BLK 1, J.C. NYE SUBURBAN HOMESITE ADD.	791666.192 8505341.453
3256	5/8" IRON REBAR	NW COR. L 4, BLK 3, J.C. NYE SUBURBAN HOMESITE ADD.	791607.730 8505492.238
3257	1/2" IRON REBAR	NE COR. L 10, BLK 1, WOODLAND PARK	792467.477 8505526.869
3259	1/2" IRON REBAR	NE COR. L 13, BLK 2, WOODLAND PARK	792096.891 8505784.781
3260	5/8" IRON REBAR	SW COR. L 19, TURNER ADD.	791936.173 8505847.771
3261	1/2" IRON REBAR	SW COR. L 23, BLK 2, LATHROP ADD	792191.747 8505993.554
3263	5/8" IRON REBAR	NW COR. L 5, TURNER ADD	792135.873 8506354.454
3265	5/8" IRON REBAR 2431	0.12' E. OF SE COR. L 14, REPLAT, BLK. 2, LATHROP ADD.	792337.450 8506067.154
3268	1/2" SMOOTH IRON ROD	SW COR. L 10, BLK 1, LATHROP ADD & SE COR. L 4, DOWNING REPLAT	792522.405 8506138.659
3269	R&R SPIKE	W 1/16, NORTH LINE, SEC 15	792827.201 8506463.969
17	BRASS CAP	NW COR. L 8, ALDERBROOKE ADD INITIAL POINT	792174.121 8507153.251
13	1/2" IRON REBAR	NW COR. L 12, ALDERBROOKE ADD	792176.830 8507528.477

#	MONUMENT	CORNER	STATE PLANE COORDINATES "NORTH ZONE" NAD 83/91
18	1/2" IRON REBAR	NE COR. L 2, BLK 1, WHEATLAND WEST	791817.537 8507681.777
3272	1/2" IRON REBAR	SE COR. L 11, BLK 3, LATHROP ADD	792017.428 8507005.999
3274	5/8" IRON REBAR PLASTIC CAP (2817)	NW COR. ST. JOHNS EST., #1 INITIAL POINT	791482.909 8507188.937
3275	5/8" IRON REBAR PLASTIC CAP (2817)	CL ST JOHNS AVE & CL SW 7TH ST FOR ST JOHNS EST.	791518.567 8507802.576
3276	5/8" IRON REBAR PLASTIC CAP (2817)	SE COR. L 31, ST JOHNS EST., #2	791095.545 8507914.941
3277	1/2" IRON REBAR	SW COR. L 13, BLK 1, WHEATLAND EST	791546.091 8507470.271
3278	5/8" IRON REBAR	SW COR., LINDA EST., NW COR., & INITIAL POINT LINDA EST., #2	791928.223 8507827.436
3279	1/2" IRON REBAR	SE COR. L 14, NANCY ESTATES	792010.650 8507775.940
3285	1/2" IRON REBAR	SW COR. L 1, BLK 1, BORTHWICK ADD & NE COR., L 11, BLK. 2, BORTHWICK #2	792738.056 8507915.008
3286	BRASS CAP	N 1/4 SEC 15	792840.536 8507783.212
3288	1/2" SMOOTH IRON ROD	SE COR. L 3, BLK 1, BORTHWICK ADD	792614.748 8508016.512
3289	1/2" SMOOTH IRON ROD	SE COR. L 8, BLK 2, BORTHWICK 2ND ADD	792303.447 8508043.001
3291	1/2" IRON REBAR	SE COR. L 9, BLK 2, BERGS ADD	792601.460 8508801.192
3292	3/4" IRON REBAR	NE COR. L 1, BLK 1, BERGS ADD & NW COR., LAIRD ADD	792820.688 8509103.255
3293	3/4" IRON REBAR	SE COR. L 1, BLK 1, LINDA EST. & SW COR. L 10, BLK 4, LAIRD ADD	792091.060 8509114.573
3294	1/2" SMOOTH IRON ROD	SW COR., L 30, BLK. 3, LAIRD ADD.	792101.540 8510186.226
3295	5/8" IRON REBAR	SW COR. L 14, BLK 5, LAIRD ADD & SE COR. L 3, BLK 3, LINDA ESTATES #2	791787.156 8509119.045
3296	2 1/2" B.C.	SW COR., & INITIAL POINT SOUTH HILL ADD	790588.475 8510484.260
3297	2 1/2" B.C.	E 1/4 COR SEC 15	790218.039 8510459.435
3298	1/2" IRON REBAR	SW COR. L 8, SOUTH HILL ADD	790786.908 8511008.210

RECEIVED BY
 Umatilla County Surveyor
 Date: 1-05
 Received by: KK
 No. 05-013-g

MAP #8
 SURVEY FOR UMATILLA COUNTY
 IN SECTIONS 14 & 15, T 4 N, R 28 E, W.M.,
 UMATILLA COUNTY, OREGON
 7/15/2004 JOB# S0312296
 EDWARDS SURVEYING P.O. BOX 763
 541-567-3336 HERMISTON, OREGON 97838
 DRAWN BY NJF



REGISTERED PROFESSIONAL LAND SURVEYOR
L. Dennis Edwards
 OREGON
 JULY 16, 1971
 G. DENNIS EDWARDS
 9 5 1
 RENEWS 12/31/2005

NARRATIVE:

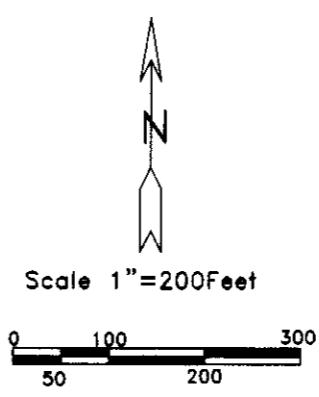
THIS MAP IS PART OF MY CONTRACT WITH UMATILLA COUNTY TO ESTABLISH NGS STATE PLANE COORDINATES ON TWO MONUMENTS IN EACH SUBDIVISION IN THE CITY OF HERMISTON.
 THE CONTROL USED WAS SET BY CASWELL IN 1993 FOR THE HERMISTON WATER PROJECT AND ARE SHOWN ON SHEET ONE. THEY ARE ON RECORD AT THE COUNTY SURVEYORS OFFICE.
 DATA WAS COLLECTED BY REAL TIME KINEMATIC WITH A TOPCON HIPER+ G.P.S. SYSTEM. POINT # 7105 IS THE INITIAL POINT OF THREE SUBDIVISIONS AND COORDINATE VALUES WERE ESTABLISHED FROM BILL WELL'S SURVEY OF "RIVER HILL" #2 ON WHICH HE SHOWS A TIE TO ONE OF CASWELL'S MONUMENTS. POINT #7105 IS BURIED UNDER THE CONCRETE OF FENCE CONSTRUCTION.
 WHEN COMPUTING "NORTH RIVERVIEW HEIGHTS" I FOUND THAT THE BEARINGS OF THE EAST AND WEST LINES OF LOTS 1, 2, 3, 30, 31, AND 32 READ NW WHEN THEY ARE NE AND READ SE WHEN THEY ARE SW.
 THERE ARE TWO MONUMENTS AT THE NORTH 1/4 CORNER OF SECTION 16. THE 3/4" IRON BAR WAS USED IN THE SURVEY FOR VIEWCREST IN SECTION 9. THE RR SPIKE WAS USED FOR MOST SURVEYS IN SECTION 16 INCLUDING THE PLAT OF "NORTH RIVERVIEW HEIGHTS". CRAMER SET THE RR SPIKE IN 1984. IN A 1963 SURVEY (#63-150-C) HARRIS SAID HE FOUND A PIN 1.31 FEET WEST OF HIS COMPUTED POSITION FOR SAID 1/4 CORNER.
 THE COMBINED SCALE FACTOR FOR THIS MAP IS .999941333 AND THETA IS 0° 50' 16" AT POINT # 3355.

#	TRUE BEARING & DISTANCE	RECORD FROM PLAT OR COMPUTED FROM PLAT
3056	N 85°42'49" E 1.70'	N 84°16'24" E 1.66' ROBERTS 1977 SURVEY FOR QUICK
3055	S 88°51'44" E 2649.39'	S 89°42'00" E 2649.48' PARTITION PLAT 1998-30
3054	S 0°02'38" E 2639.26'	S 0°00'12" E 2639.31' MY 1995 SURVEY FOR COLUCCIO
3247	N 89°08'28" W 1324.41'	N 89°45'34" W 1324.48' ARLENE EST. 2
3366	N 87°51'37" W 1116.19'	N 88°29'12" W 1116.30' ARLENE EST. 2 & 4
3365	N 9°07'57" W 1320.91'	N 9°45'07" W 1321.09' ARLENE EST. 4
6037	N 1°10'37" E 452.86'	
6038	N 0°42'47" W 873.48'	
3055	S 70°56'47" W 1401.41'	S 70°05'42" W 1401.66' N RIVERVIEW HTS.
3353	S 0°00'24" W 450.04'	S 0°50'40" E 450.00' N RIVERVIEW HTS.
3352	S 76°02'00" E 1119.96'	S 76°52'11" E 1119.85' N RIVERVIEW HTS.
3351	S 52°06'19" E 240.09'	S 52°56'55" E 240.00' N RIVERVIEW HTS.
3350	S 89°00'47" E 49.95'	S 89°49'07" E 50.01' N RIVERVIEW HTS.
6037	N 0°04'04" W 1326.18'	N 0°54'02" W 1326.20' PARTITION PLAT 1998-30
3055	S 87°51'01" E 1869.04'	
3345	S 4°42'56" W 240.30'	S 4°05'34" W 240.41' HOLLI ADD.
3346	S 0°04'42" E 80.00'	S 0°40'50" E 80.00' HOLLI ADD.
3347	N 67°10'42" E 868.80'	N 66°32'58" E 868.55' HOLLI ADD.
3054	S 45°33'54" W 1853.14'	S 44°56'23" W 1853.01' SUNLAND EST.
7105	S 36°13'33" E 174.43'	S 36°53'59" E 174.65' REPLAT "A"
3368	S 32°31'23" E 625.32'	S 33°07'10" E 625.76' SUNLAND EST. & REPLAT "A"
3371	N 3°59'33" E 470.45'	N 3°20'38" E 470.85' SUNLAND EST. & REPLAT "A"
3370	N 76°25'57" W 282.80'	N 77°00'27" W 282.88' REPLAT BLK 5, SUNLAND EST.
3369	N 56°07'49" W 237.42'	N 56°46'09" W 237.42' REPLAT BLK 5, SUNLAND EST.
7105		

#	TRUE BEARING & DISTANCE	RECORD FROM PLAT OR COMPUTED FROM PLAT
7105	S 44°38'34" E 1885.99'	
3247	N 89°08'28" W 1324.41'	N 89°45'34" W 1324.48' ARLENE EST. 2
3366	N 0°01'57" W 535.25'	N 0°39'23" W 535.22' ARLENE EST. 2
3367	N 51°46'34" W 412.74'	N 52°23'29" W 412.86' ARLENE EST. & ARLENE EST. 3
3362	S 70°33'39" W 358.33'	S 69°56'03" W 358.30' ARLENE EST. 3
3364	S 35°43'42" W 775.68'	S 35°06'14" W 775.85' ARLENE EST. 5
3365	N 4°35'28" W 2638.81'	
3055	S 0°42'47" E 873.48'	
6038	N 85°10'31" E 827.17'	N 84°34'14" E 827.17' RIVER HILL
3354	S 30°32'24" W 324.31'	S 29°53'03" W 324.06' RIVER HILL 2
3355	S 67°50'42" E 707.57'	S 68°26'50" E 707.30' RIVER HILL 2
7105	S 10°40'19" W 671.33'	S 10°02'44" W 671.28' AMBER MEADOW
3359	S 64°47'55" E 1602.06'	
3247	N 50°54'54" W 2551.60'	
3355	S 72°03'46" W 248.58'	S 71°26'24" W 248.96' MEADOWVIEW WEST
3357	S 26°50'07" W 94.26'	S 26°16'54" W 94.27' MEADOWVIEW WEST
3356	N 17°27'43" W 1303.91'	
3055		

REPLAT "A" REPLAT LOTS 17-20, BLK. 1, LOTS 1-9, BLK. 4, & LOTS 1-13, BLK. 6, "SUNLAND ESTATES"

LEGEND:
 ◆ FOUND MONUMENTS AS NOTED



#	MONUMENT	CORNER	STATE PLANE COORDINATES "NORTH ZONE" NAD 83/91
			N E
3054	2 1/2" BRASS CAP IN MON. BOX	NE COR., SEC. 16	792814.095 8505144.380
3055	R&R SPIKE	N 1/4, SEC 16	792827.969 8502495.183
3056	3/4" IRON ROD	S 1/4 COR SEC 9	792827.817 8502493.488
3247	2" ALUMINUM CAP	E 1/4 SEC 16	790175.302 8505184.994
3345	5/8" IRON REBAR	NLY NW COR, L 15, HOLLI ADD	792785.181 8504363.624
3346	1/2" IRON REBAR	NW COR, L 12, HOLLI ADD	792545.450 8504347.374
3347	1/2" IRON REBAR	SW COR, L 12, HOLLI ADD	792465.466 8504348.653
3350	5/8" IRON REBAR PLASTIC CAP(848)	SE COR, L 32, N RIVERVIEW HEIGHTS	791502.165 8502466.198
3351	5/8" IRON REBAR	NW COR, L 31, N RIVERVIEW HEIGHTS	791646.839 8502274.605
3352	5/8" IRON REBAR PLASTIC CAP(848)	NW COR, L 20, N RIVERVIEW HEIGHTS & NW COR, L 1, ALLELUIA HEIGHTS	791901.212 8501183.984
3353	5/8" IRON REBAR PLASTIC CAP(848)	NW COR, L 16, N RIVERVIEW HEIGHTS	792351.182 8501177.456
3354	5/8" IRON REBAR PLASTIC CAP(1106)	CL POINT RIVERHILL DRIVE FOR RIVERHILL 1 & 2	792036.474 8503341.907
3355	5/8" IRON REBAR PLASTIC CAP(2735)	SW COR., L 19, RIVER HILL 2 SE COR., L 7, MEADOWVIEW WEST	791754.793 8503181.224
3356	5/8" IRON REBAR PLASTIC CAP(2735)	CL CUL-DE-SAC MEADOW VIEW WEST	791590.077 8502904.571
3357	5/8" IRON REBAR PLASTIC CAP(2735)	P.O.C. MEADOWVIEW DR. ● CUL-DE-SAC MEADOW VIEW WEST	791674.791 8502945.884
3359	R&R SPIKE	CL SW 15TH & CL SUNLAND AVE & CL RIVER HILL DR., AMBER MEADOW	790836.158 8503725.687
3362	5/8" IRON REBAR PLASTIC CAP(951)	NW COR, L 38, ARLENE EST, DIV 3	790961.541 8503524.605
3364	R&R SPIKE	CL SUNLAND AVE & CL SW 16TH ST	790837.365 8503188.500
3365	2" ALUMINUM CAP	INITIAL POINT, SW COR, L 62, ARLENE EST, DIVISION #4	790201.151 8502744.825
3366	5/8" IRON REBAR PLASTIC CAP(951)	INITIAL POINT, SE COR ARLENE ESTATES #2	790175.789 8503860.661
3367	5/8" IRON REBAR PLASTIC CAP(951)	INITIAL POINT, SE COR, ARLENE ESTATES & NE COR, ARLENE ESTATES #2	790710.947 8503852.533
3368	5/8" IRON REBAR	SE COR, L 4, BLK. 6, REPLAT "A" NE COR ALDRIDGE ADD.	791358.408 8503945.462
3369	1/2" IRON REBAR	PC, NORTH LINE, L C, REPLAT BLK 5, SUNLAND EST	791368.176 8504039.373
3370	R&R SPIKE	CL MANZANITA PL & CL SAGE DRIVE	791305.865 8504315.202
3371	1/2" IRON REBAR	SE COR, L 1, BLK 1, REPLAT "A" & SW COR L 16, BLK. 1, SUNLAND EST.	790836.156 8504289.313
6037	2 1/2" BRASS CAP	C-N 1/16 SEC. 16	791502.035 8502516.141
6038	1/2" IRON REBAR	MOST NLY NW COR, L 1 BLK. 1, RIVER HILL	791954.866 8502518.823
7105	5/8" IRON REBAR IN 2" IRON PIPE BURIED UNDER CONC. SEE NARRATIVE	INITIAL POINT OF SUNLAND ESTATES AMBER MEADOWS, & RIVER HILL #2	791497.586 8503840.342

MAP 10
 SURVEY FOR UMATILLA COUNTY
 IN N 1/2, SEC. 16, T 4 N,
 R 28 E, W.M., UMATILLA COUNTY, OREGON
 7/20/2004 JOB# S0312296
 EDWARDS SURVEYING P.O. BOX 763
 541-567-3336 HERMISTON, OREGON 97838
 DRAWN BY NJF

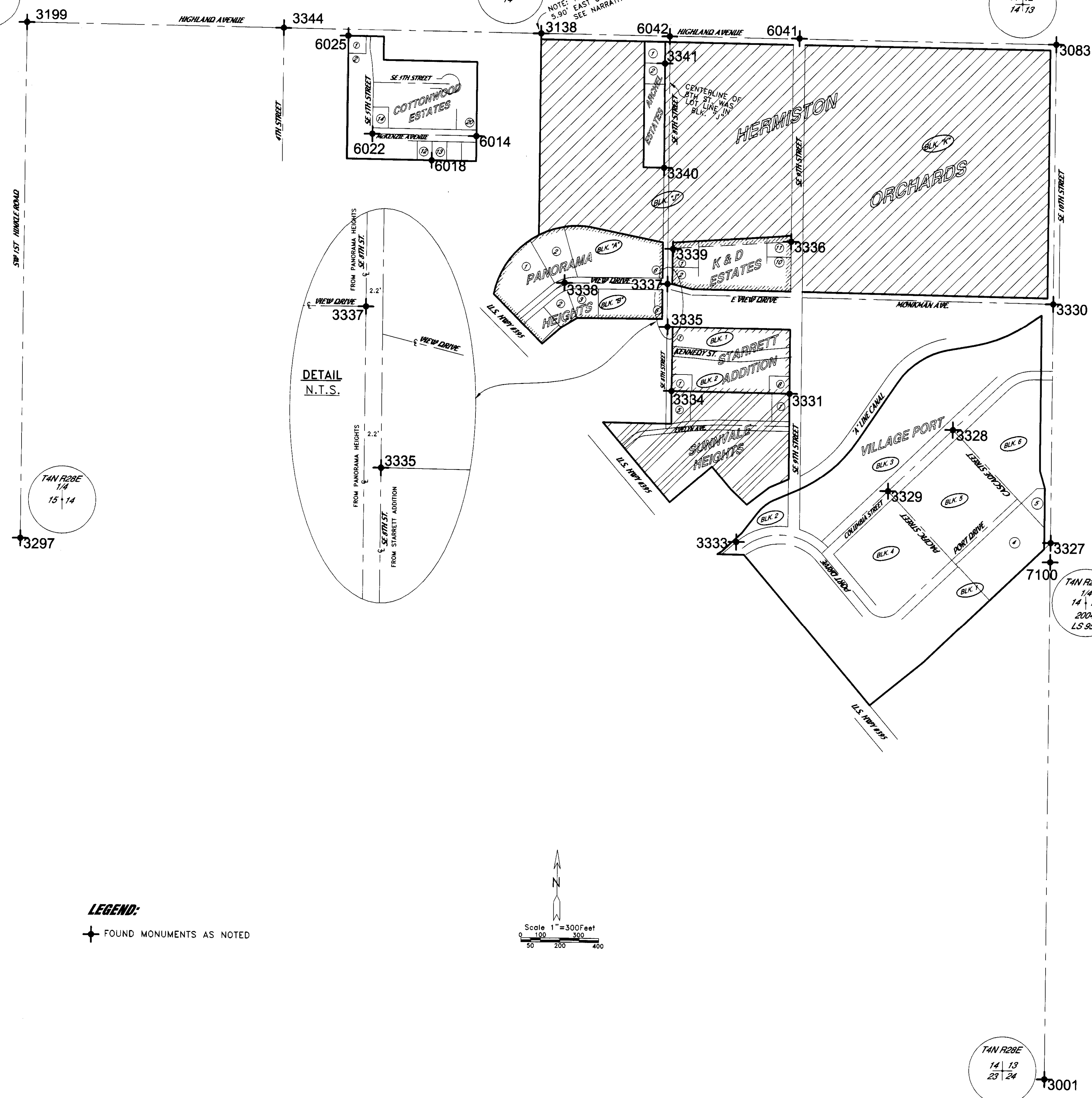
RECEIVED BY
 Umatilla County Surveyors
 Date: 1-05
 Initials: KK
 05-013-9

TAN FB#E
10, 11
15, 14

TAN FB#E
1/4
11
14

TAN FB#E
11, 12
14, 13

NOTE: THERE WAS ANOTHER MONUMENT
5.90' EAST OF THIS ONE BETWEEN 1970 & 1980.
SEE NARRATIVE.



NARRATIVE:

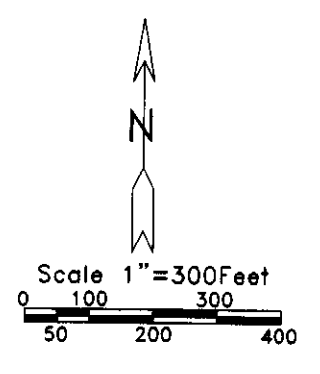
THIS MAP IS PART OF MY CONTRACT WITH UMATILLA COUNTY TO ESTABLISH NGS STATE PLANE COORDINATES ON TWO MONUMENTS IN EACH SUBDIVISION IN THE CITY OF HERMISTON. THE CONTROL USED WAS SET BY CASWELL IN 1993 FOR THE CITY WATER PROJECT. THE STATIONS USED ARE SHOWN ON THE INDEX MAP (SHEET ONE) AND ARE ON FILE AT THE COUNTY SURVEYORS OFFICE. DATA WAS COLLECTED BY REAL TIME KINEMATIC WITH A TOPCON HIPER+ G.P.S. SYSTEM. THE COMBINED FACTOR IS .99993940 AND THETA IS 0° 51' 56" AT POINT 3338. I FIND A 2.2 FOOT GAP BETWEEN "PANORAMA HEIGHTS" AND THE TWO SUBDIVISIONS TO THE EAST, "K & D" AND "STARRETT ADDITION". I SET THE EAST QUARTER CORNER OF SECTION 14 FROM TIES TO MONUMENTS OF "VILLAGE PORT". THERE WAS A MONUMENT 5.90 FEET EAST OF THE NORTH 1/4 CORNER OF SECTION 14 WHICH WAS USED IN THE SURVEYS OF SEVERAL SUBDIVISIONS IN SECTION 11 BETWEEN 1970 AND 1980. SEE MAP 5 (SHEET 6) FOR DETAILS.

REGISTERED
PROFESSIONAL
LAND SURVEYOR
L. Dennis Edwards
OREGON
JULY 16, 1971
G. DENNIS EDWARDS
RENEWS 12/31/2005

#	TRUE DISTANCE & BEARING	RECORD FROM PLAT OR OR COMPUTED FROM PLAT
-3297	N 0°03'50" E 2648.91'	
-3199	S 89°22'24" E 2650.79'	
-3138	S 89°24'01" E 2660.00'	EAST 2654.8' HERMISTON ORCHARDS SEE NARRATIVE
-3083	S 0°01'15" E 2655.77'	
-7100	S 0°01'41" W 2655.04'	
-3001	N 0°01'41" E 2655.04'	
-7100	N 0°01'41" E 98.66'	N 0°01'00" W 98.66' VILLAGE PORT
-3327	N 0°01'22" W 2557.11'	N 0°01'00" W 2557.76' VILLAGE PORT
-3083	N 89°24'01" W 2660.00'	
-3138	S 20°47'31" E 1955.37'	
-3334	N 60°57'38" W 3825.68'	
-3199	S 89°22'37" E 1325.11'	
-3344	S 83°39'31" E 334.91'	S 83°46'20" E 335.25' COTTONWOOD EST.
-6025	S 14°28'39" E 516.25'	S 14°30'46" E 516.53' COTTONWOOD EST.
-6022	S 89°21'57" E 535.95'	S 89°25'15" E 535.91' COTTONWOOD EST.
-6014	N 31°49'13" E 621.63'	
-3138	S 77°04'46" E 656.70'	
-3341	S 0°11'33" E 531.92'	S 0°12'44" E 531.88' ARCHEL EST.
-3340	N 72°07'22" E 2120.37'	
-3083	S 52°57'14" W 1700.37'	
-3336	S 85°50'34" W 610.98'	S 85°50'40" W 610.88' K & D EST.
-3339	N 32°18'17" W 1297.34'	
-3138	S 6°04'51" E 1284.46'	
-3338	S 89°59'15" E 530.79'	EAST 530.87' PANORAMA HTS.
-3337	N 57°54'53" E 2352.30'	
-3083	S 36°54'08" W 2259.69'	S 36°54'01" W 2260.16' STARRETT ADD. & SUNNYVALE HTS.
-3331	N 89°21'33" W 608.95'	N 89°20'00" W 608.61' STARRETT ADD. & SUNNYVALE HTS.
-3334	N 4°17'03" W 331.40'	N 4°19'59" W 331.24' STARRETT ADD.
-3335	N 24°04'58" W 1640.34'	
-3138	S 21°45'25" E 2797.28'	
-3333	N 89°32'21" E 1624.05'	N 89°33'00" E 1623.72' VILLAGE PORT
-3327	N 41°33'51" W 768.31'	N 41°31'26" W 768.232' VILLAGE PORT
-3328	S 46°20'08" W 459.97'	S 46°18'59" W 460.00' VILLAGE PORT
-3329	S 73°01'06" E 880.89'	S 72°59'51" E 880.42' VILLAGE PORT
-3327	S 0°01'41" W 98.66'	S 0°01'00" E 98.66' VILLAGE PORT
-7100	N 0°02'59" W 1325.12'	
-3330	N 0°00'28" E 1330.64'	NORTH 1330.00' HERMISTON ORCHARDS
-3083	N 89°24'46" W 1327.65'	WEST 1327.40' HERMISTON ORCHARDS
-6041	N 89°22'53" W 667.69'	WEST 663.70' HERMISTON ORCHARDS SEE NARRATIVE
-6042	N 89°23'39" W 664.66'	WEST 663.70' HERMISTON ORCHARDS
-3138		

#	MONUMENT	CORNER	STATE PLANE COORDINATES "NORTH ZONE" NAD 83/91 N E
3001	2 1/2" BRASS CAP	SE COR SEC 14	787580.021 8515812.679
3083	2" ALUMINUM CAP	NE COR SEC 14	792889.908 8515732.794
3138	2 1/2" BRASS CAP	N 1/4 SEC 14	792877.571 8513072.981
3199	2 1/2" BRASS CAP	NW COR SEC 14	792866.525 8510422.375
3297	2 1/2" BRASS CAP	E 1/4, SEC. 15	790218.039 8510459.435
3327	2" BRASS CAP IN CONC.	INITIAL POINT, VILLAGE PORT SUB.	790333.263 8515772.432
3328	R&R SPIKE	CL COLUMBIA DRIVE & CL CASCADE STREET, VILLAGE PORT SUB.	790900.319 8515254.097
3329	R&R SPIKE	CL COLUMBIA DRIVE & CL PACIFIC STREET, VILLAGE PORT SUB.	790577.771 8514926.212
3330	1/2" IRON REBAR OVER 3/4" I. PIPE	CL MONKMAN AVE. & S.E. TENTH ST. HERMISTON ORCHARDS	791559.494 8515752.711
3331	2" BRASS CAP	INITIAL PT. SE COR. L. 8, BLK. 2, STARRETT ADD. & INITIAL PT. NE COR. L. 1, BLK. 2, SUNNYVALE HEIGHTS	791062.736 8514403.494
3333	5/8" IRON REBAR	P.C. ON S. LINE, BLK. 2, VILLAGE PORT	790295.676 8514148.914
3334	5/8" IRON REBAR	NW COR. L. 5, BLK. 1, SUNNY VALE HEIGHTS & SW COR. L. 1, BLK. 2, STARRETT ADD.	791060.347 8513794.582
3335	5/8" IRON REBAR	NW COR. STARRETT ADD.	791390.385 8513764.838
3336	5/8" IRON REBAR	30.28" SOUTH OF NE COR. L. 11, K & D ESTATES	791845.188 8514391.350
3337	5/8" IRON REBAR	CL VIEW DRIVE & CL EIGHTH ST. PANORAMA HEIGHTS	791610.522 8513759.010
3338	5/8" IRON REBAR	PI VIEW DRIVE, PANORAMA HEIGHTS	791602.621 8513228.315
3339	5/8" IRON REBAR PLASTIC CAP (951)	30.08" SOUTH OF NW COR. L. 1, K & D ESTATES	791791.698 8513782.754
3340	5/8" IRON REBAR	INITIAL PT. SE COR. L. 6, ARSHEL ESTATES	792208.634 8513724.986
3341	5/8" IRON REBAR PLASTIC CAP (951)	SE COR. L. 1, ARSHEL ESTATES	792740.426 8513715.164
3343	1/2" IRON REBAR	INITIAL PT. NW COR. L. 1, BLK. 1, COTTONWOOD ESTATES	792840.435 8512080.135
3344	5/8" IRON REBAR	WEST 1/16, NORTH LINE, SEC 14	792872.130 8511747.390
6014	5/8" IRON REBAR	E. END MCKENZIE AVE.	792344.514 8512753.260
6022	5/8" IRON REBAR	E. SE 11TH ST. & MCKENZIE AVE.	792342.350 8512217.346
6025	5/8" IRON REBAR IN CONC.	INITIAL POINT NW COR. COTTONWOOD ESTATES	792840.172 8512080.755
6041	R.R. SPIKE	CL 9TH ST. & HIGHLAND AVE.	792883.459 8514405.239
6042	P.K. NAIL	CL 8TH ST. & HIGHLAND AVE.	792880.583 8513737.595
7100	SET 2 3/8" BRASS CAP ON 1"X30" IRON PIPE	E 1/4, SEC. 14	790234.620 8515773.874

LEGEND:
+ FOUND MONUMENTS AS NOTED



MAP 11
SURVEY FOR UMATILLA COUNTY
IN SECTION 14, T 4 N, R 28 E, W.M.,
UMATILLA COUNTY, OREGON
7/15/2004 JOB# S0312296
EDWARDS SURVEYING P.O. BOX 763
541-567-3336 HERMISTON, OREGON 97838
DRAWN BY NJF

RECEIVED BY
Umatilla County Surveyor
Date 1-05
Rec'd by KE
No. 05-013-9