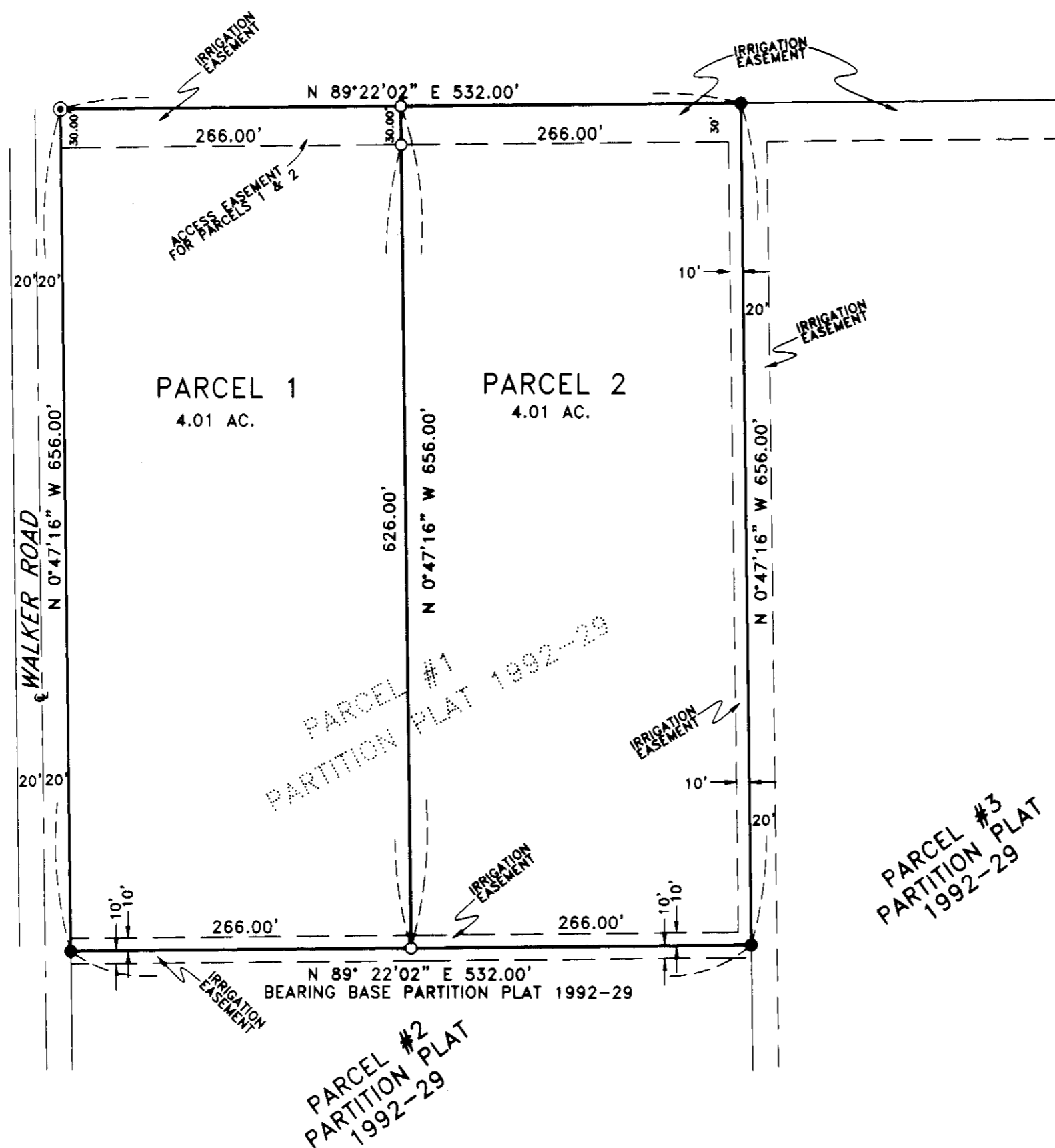


2001-21

# PARTITION PLAT 2001-21

#LD-4N-771-01  
PARCEL 1, PARTITION PLAT 1992-29  
IN THE SW 1/4, SEC. 7, T 4 N, R 28 E, W.M.,  
UMATILLA COUNTY, OREGON



## SURVEYOR'S CERTIFICATE AND NARRATIVE:

I, G. DENNIS EDWARDS, AM A REGISTERED SURVEYOR FOR THE STATE OF OREGON AND HAVE MARKED WITH PROPER MONUMENTS THE LAND DESCRIBED BELOW. THIS IS A PARTITION OF PARCEL ONE OF PARTITION PLAT 1992-29 WHICH WAS SURVEYED BY ME. THE SURVEY AND THE BEARINGS ARE BASED ON THAT 1992 PLAT.

DESCRIPTION: PARCEL ONE OF PARTITION PLAT 1992-29, IN THE SOUTHWEST QUARTER OF SECTION 7, T 4 N, R 28 E, W.M., UMATILLA COUNTY, OREGON.

REGISTERED  
PROFESSIONAL  
LAND SURVEYOR

*G. Dennis Edwards*

OREGON  
JULY 16, 1971  
G. DENNIS EDWARDS  
951  
RENEWS 12/31/2001

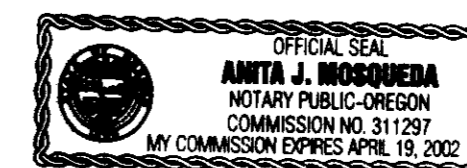
## OWNER'S DECLARATION:

WE, THE OWNERS OF THE LAND DESCRIBED ABOVE, HEREBY DECLARE THAT WE HAVE CAUSED THIS PLAT TO BE PREPARED.

WE ACKNOWLEDGE THE IRRIGATION EASEMENTS AS SHOWN ON THE PLAT.

WE HEREBY DEDICATE AN EASEMENT FOR INGRESS AND EGRESS AND UTILITIES OVER THE NORTH 30 FEET OF PARCEL ONE FOR THE BENEFIT OF PARCELS ONE AND TWO. SAID EASEMENT IS ALSO AN IRRIGATION EASEMENT WHICH WAS DEDICATED ON PARTITION PLAT 1992-29.

*Leo N. Strubenrauch* *Sherril L. Strubenrauch*  
LEO N. STRUBENRAUCH SHERRIL L. STRUBENRAUCH



STATE OF OREGON }  
COUNTY OF \_\_\_\_\_ }

SUBSCRIBED AND SWORN BEFORE ME ON THIS \_\_\_\_\_ DAY OF \_\_\_\_\_, 2001

*Anita J. Mosqueda*  
NOTARY PUBLIC FOR OREGON  
MY COMMISSION EXPIRES April 19, 2002

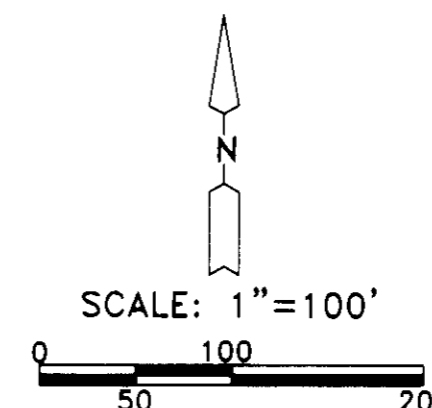
STATE OF OREGON, }  
COUNTY OF UMATILLA }  
I certify that this instrument was received and recorded

ON May 1, 2001  
at 8:45 o'clock Am., in the record of  
PLATS of said County.  
YEAR NUMBER Slide  
2001 21

OFFICE OF COUNTY RECORDS

By: GEORGIA DUNAWAY Records Officer

Fees \$ 50.00 No. 2001-3880002



JOB# S0103038  
EDWARDS SURVEYING P.O. BOX 763  
541-567-3336 HERMISTON, OREGON 97838  
DRAWN BY NJF

## APPROVALS:

APPROVED THIS 30<sup>th</sup> DAY OF April, 2001.

*David H. Klo*  
UMATILLA COUNTY SURVEYOR

APPROVED THIS 1<sup>st</sup> DAY OF May, 2001.

*Devi C. Olson*  
UMATILLA COUNTY PLANNING DIRECTOR

TAXES ARE PAID IN FULL  
THIS 30<sup>th</sup> DAY OF April, 2001.

*Shonda J. Schult*  
UMATILLA COUNTY TAX COLLECTOR

## LEGEND:

- ⊙ FOUND 5/8" IRON REBAR SET BY ME IN PARTITION PLAT 1992-29
- FOUND 1/2" IRON REBAR SET BY ME IN PARTITION PLAT 1992-29
- SET 5/8"X30" IRON REBAR WITH PLASTIC CAP #951

THIS IS AN EXACT COPY: *G. Dennis Edwards*  
G. DENNIS EDWARDS

RECEIVED BY

Umatilla County Surveyor  
Date 5-01  
Rec'd By KP  
No. 01-68-B