

**NARRATIVE:**

THE PURPOSE OF THIS SURVEY IS TO STAKE LOTS 25, 26, 27, AND 28, BLOCK 4, "CONFORTH'S 1ST ADDITION" TO THE CITY OF UMATILLA SO HOMES CAN BE SITED. I RETRACED STAEBLER'S 1977 ORIGINAL PLAT TO SET THE 4 MISSING LOT CORNERS, AND TO SET A POINT ON LINE AT THE TOP OF THE BANK BETWEEN LOTS 25 AND 26.

REGISTERED  
PROFESSIONAL  
LAND SURVEYOR

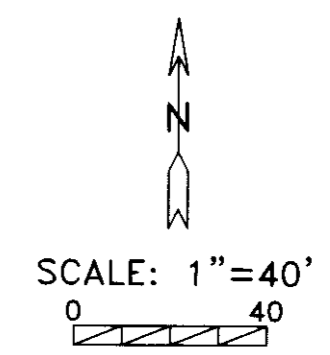
*G. Dennis Edwards*

OREGON  
JULY 16, 1971  
G. DENNIS EDWARDS  
9 5 1  
RENEWS 12/31/99

CURVE TABLE

#	RADIUS	ARCH	CHORD	DELTA
A	50.00'	52.36'	N 82°09'39" W 50.00'	60°00'00"
B	50.00'	52.36'	N 22°09'39" W 50.00'	60°00'00"
C	50.00'	22.34'	N 20°38'01" E 22.15'	25°35'39"
D	25.00'	24.76'	N 5°03'21" E 23.76'	54°44'41"
E	130.00'	14.93'	N 20°01'33" W 14.92'	6°34'40"
F	130.00'	38.67'	N 8°12'55" W 38.52'	17°02'32"
G	100.00'	183.15'	N 52°09'39" W 158.60'	104°56'11"

- LEGEND:**
- FND. 1/2" IRON REBAR STAEBLER 1977
  - ⊙ FND. 5/8" IRON REBAR STAEBLER 1977
  - ▲ FND. P.K. NAIL STAEBLER 1977
  - SET 5/8"X30" IRON REBAR WITH PLASTIC CAP #951



RECEIVED BY  
Umatilla County Surveyor  
Date 3-2000  
Rec'd by NJF  
No. 00-58-A

SURVEY FOR CUSTOM BY KELLAR  
LOTS 25, 26, 27, & 28, BLK. 4. "CONFORTH'S 1ST ADD.  
TO THE CITY OF UMATILLA  
IN NW 1/4, SEC. 20, T 5 N, R 28 E, W.M., UMATILLA COUNTY, OREGON  
11/11/99 JOB# S9911343  
EDWARDS SURVEYING P.O. BOX 763  
541-567-3336 HERMISTON, OREGON 97838  
DRAWN BY NJF

00-58-A