

NARRATIVE:

THE PURPOSE OF THIS SURVEY IS TO DO A BOUNDARY LINE ADJUSTMENT TO ADD THE NORTHERLY 8.70 ACRES OF THAT PORTION OF SECTION 20 LYING WITHIN THE LANDS OF JOANNE KOSMOS TO THAT TRACT OF LAND DEEDED TO PHILLIP AND GRACE HAWMAN ON REEL 202, PAGE 284.

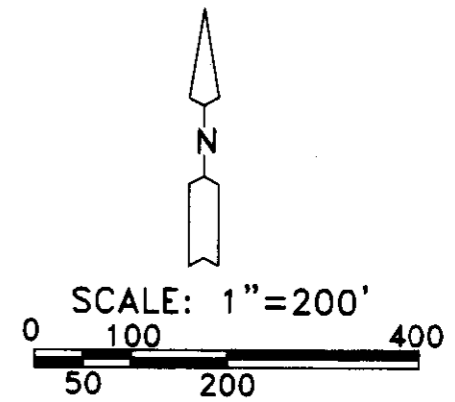
I SURVEYED THE WEST LINE OF THIS PARCEL IN A 1981 SURVEY FOR ARZ FARMS. THE BEARINGS AND THIS SURVEY ARE BASED ON THAT 1981 SURVEY.

THE NORTHERLY LINE OF THIS TRACT LIES 40 FEET SOUTHERLY OF THE SOUTHERLY RIGHT OF WAY LINE OF STATE HIGHWAY #37 AND A 20 FOOT EASEMENT CONNECTS SAID HIGHWAY #37 WITH THIS TRACT AT THE EAST CORNER.

REGISTERED
PROFESSIONAL
LAND SURVEYOR

G. Dennis Edwards

OREGON
JULY 16, 1971
G. DENNIS EDWARDS
9 5 1
RENEWS 12/31/2001



LEGEND:

- MONUMENTS FOUND AS NOTED
- SET 5/8"X30" IRON REBAR WITH PLASTIC CAP #951
- ⊙ COMPUTED POINT
- (000) OF RECORD, MY 1981 SURVEY FOR ARZ FARMS
- [000] DEED RECORD

CURVE TABLE

#	RADIUS	ARC	CHORD
C1	2784.79'	72.49'	S 62°48'56" E 72.49'

SURVEY FOR HAWMAN FARMS
IN SECTION 20, T 5 N, R 30 E, W.M.
UMATILLA COUNTY, OREGON
12/17/2001 JOB# S0112325-A
EDWARDS SURVEYING P.O. BOX 763
541-567-3336 HERMISTON, OREGON 97838
DRAWN BY NJF

RECEIVED BY
Umatilla County Surveyor
Date 12-01
Rec'd by KK
No. 01-203-A