

SPERRY
R. 307, P. 1835

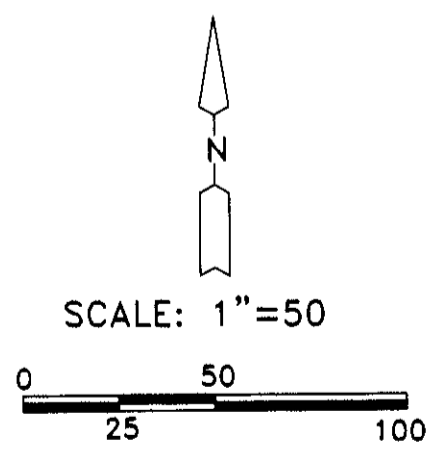
NARRATIVE:
 THE PURPOSE OF THIS SURVEY IS TO STAKE THE EAST LINE OF THAT TRACT OF LAND WHICH IS DESCRIBED IN A LAND SALE CONTRACT TO GARY AND MARGARET GITTINGS RECORDED ON REEL 404, PAGE 390, UMATILLA COUNTY DEED RECORDS, SO A NEW FENCE CAN BE BUILT. THE BEARINGS AND THIS SURVEY ARE BASED ON MY 2001 SURVEY FOR WESTLAND IRRIGATION DISTRICT IN WHICH I SUBDIVIDED SECTION 17.

REGISTERED
PROFESSIONAL
LAND SURVEYOR

G. Dennis Edwards

OREGON
JULY 16, 1971
G. DENNIS EDWARDS
9 5 1
RENEWS 12/31/2003

- LEGEND:**
- FOUND MONUMENTS AS NOTED
 - SET 5/8"X30" IRON REBAR WITH PLASTIC CAP #951



FND. 2 3/8" B.C.
MY 1997 SURVEY
FOR NAPOLITANO
(SET IN 2000)

RECEIVED BY
Umatilla County Surveyor
Date 5-02
Rec'd By KK
No. 02-101-A

SURVEY FOR GARY & MARGARET GITTINGS
NE 1/4, SEC. 17, T 4 N, R 28 E, W.M.,
UMATILLA COUNTY, OREGON
3/7/2002 JOB# S0203070
EDWARDS SURVEYING P.O. BOX 763
541-567-3336 HERMISTON, OREGON 97838
DRAWN BY NJF

02-101-A