

- LEGEND:**
- FOUND MONUMENTS AS NOTED
  - ▲ FOUND SMOOTH IRON ROD, SIZE AS NOTED, SET BY ROBNETT IN 1948 PLAT OF "KIK CITY ADDITION"
  - ⊙ COMPUTED LOCATION
  - SET 5/8" IRON REBAR WITH PLASTIC CAP #951, 30" LONG UNLESS NOTED OTHER WISE
  - ⊙ SET CONC. NAIL WITH WASHER, STAMPED #951, IN LAVA ROCK
- (000) OF RECORD, 1948 PLAT OF "KIK CITY ADDITION"

**RECEIVED BY**  
 Umatilla County Surveyor  
 Date: 7/19/2012  
 Rec'd By: J. Rea  
 No.: 12-097-A

**SURVEYOR'S NARRATIVE:**

THE PURPOSE OF THIS SURVEY IS TO STAKE THE FOUR CORNERS OF BLOCK "F" OF "KIK CITY ADDITION" AND THE SOUTH HALF OF VACATED MORROW STREET SO A FENCE CAN BE BUILT.

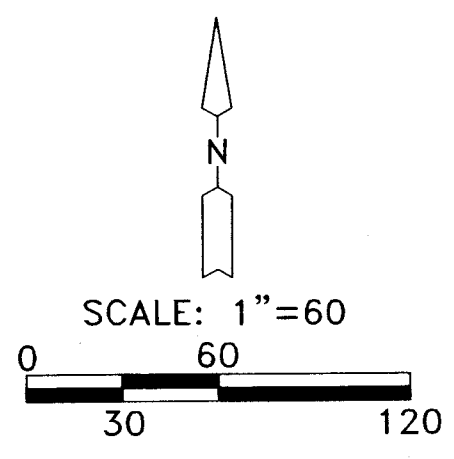
I SET THE SOUTHEAST CORNER OF SAID BLOCK "F" BY PROJECTING THE WEST LINE OF UMATILLA STREET SOUTH FROM THE ORIGINAL MONUMENT AT THE NE CORNER OF LOT 1.

THIS SURVEY WAS CONDUCTED WITH A TOPCON HIPER + G.P.S. IN REAL TIME AND THE BEARINGS ARE TRUE BASED ON THE 1984 WORLD GRID SYSTEM.

REGISTERED  
 PROFESSIONAL  
 LAND SURVEYOR

*G. Dennis Edwards*

OREGON  
 JULY 16, 1971  
 G. DENNIS EDWARDS  
 9 5 1  
 RENEWS 12/31/2013



SURVEY FOR MIKE NEWMAN  
 IN BLOCK "F", "KIK CITY ADD.," IN NW 1/4,  
 NW 1/4, SEC. 22, T 5 N, R 28 E, W.M.,  
 UMATILLA COUNTY, OREGON  
 05/30/2012 JOB #S1205035  
 EDWARDS SURVEYING P.O. BOX 763  
 541-567-3336 HERMISTON, OREGON 97838  
 DRAWN BY JMC