

LEGEND:

- MONUMENTS FOUND AS NOTED, SURVEY "A" IS A JAN. 1955 UNRECORDED SURVEY DRAWN BY CLIVA C. McVIKER, JR., PROBABLY AN UNREGISTERED SURVEYOR
- SET 5/8"x30" IRON REBAR WITH PLASTIC CAP #951
- ⊙ COMPUTED POINT
- ⊗ SET CONC. NAIL IN CURB
- [000] OF RECORD, UNRECORDED 1955 SURVEY "A"
- (000) OF RECORD, PLAT OF "HALSTEAD'S ADDITION & SECOND ADDITION"
- SS SANITARY SEWER LINE
- ▨ POSSIBLE BOUNDARY LINE ADJUSTMENT

LINE TABLE

#	BEARING & DISTANCE
L1	S 0°00'50" W 20.00'
L2	N 0°00'50" E 30.00'

NARRATIVE:

THE PURPOSE OF THIS SURVEY IS TO STAKE THAT TRACT OF LAND DEEDED TO BRAD AND TAMMIE L. WILLIAMS RECORDED ON REEL 303, PAGE 984, UMATILLA COUNTY DEED RECORDS, TO SEE WHERE A CONCRETE RETAINING WALL AND A FENCE LINE LIES IN RELATION TO THE DEED LINES. ALSO TO POSSIBLY DO A BOUNDARY LINE ADJUSTMENT TO INCLUDE SAID WALL AND FENCE INTO WILLIAMS' PARCEL.

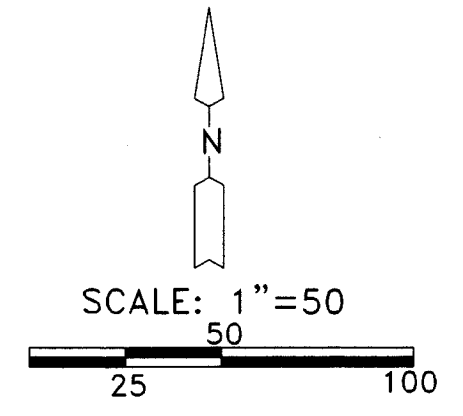
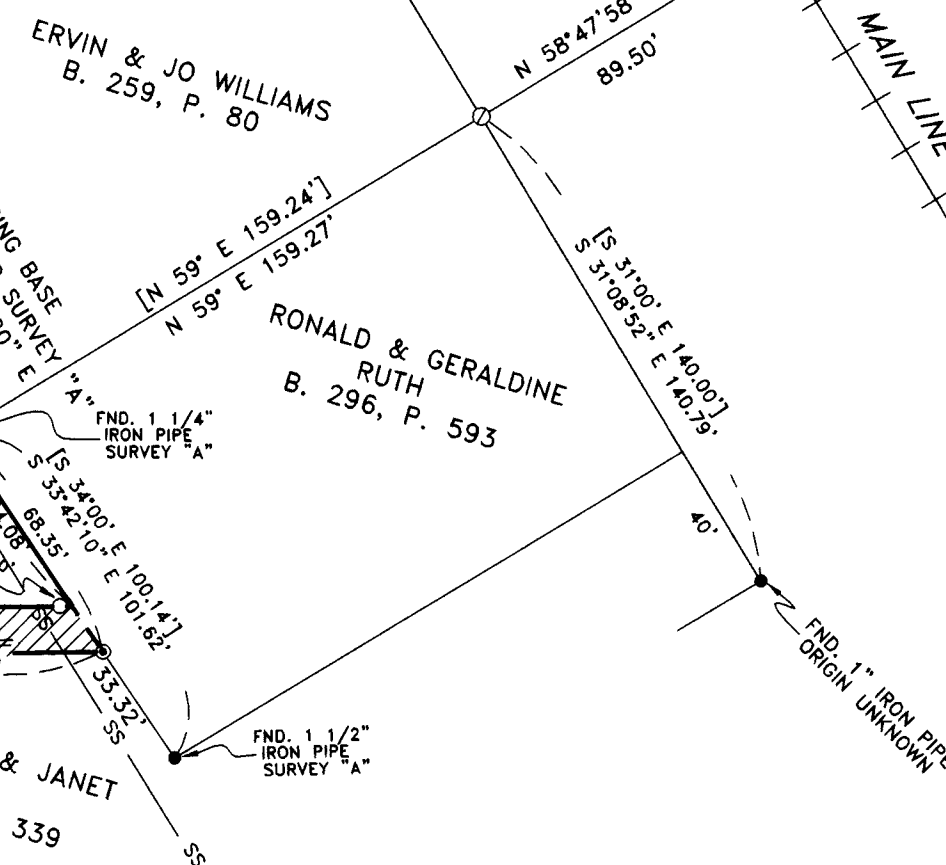
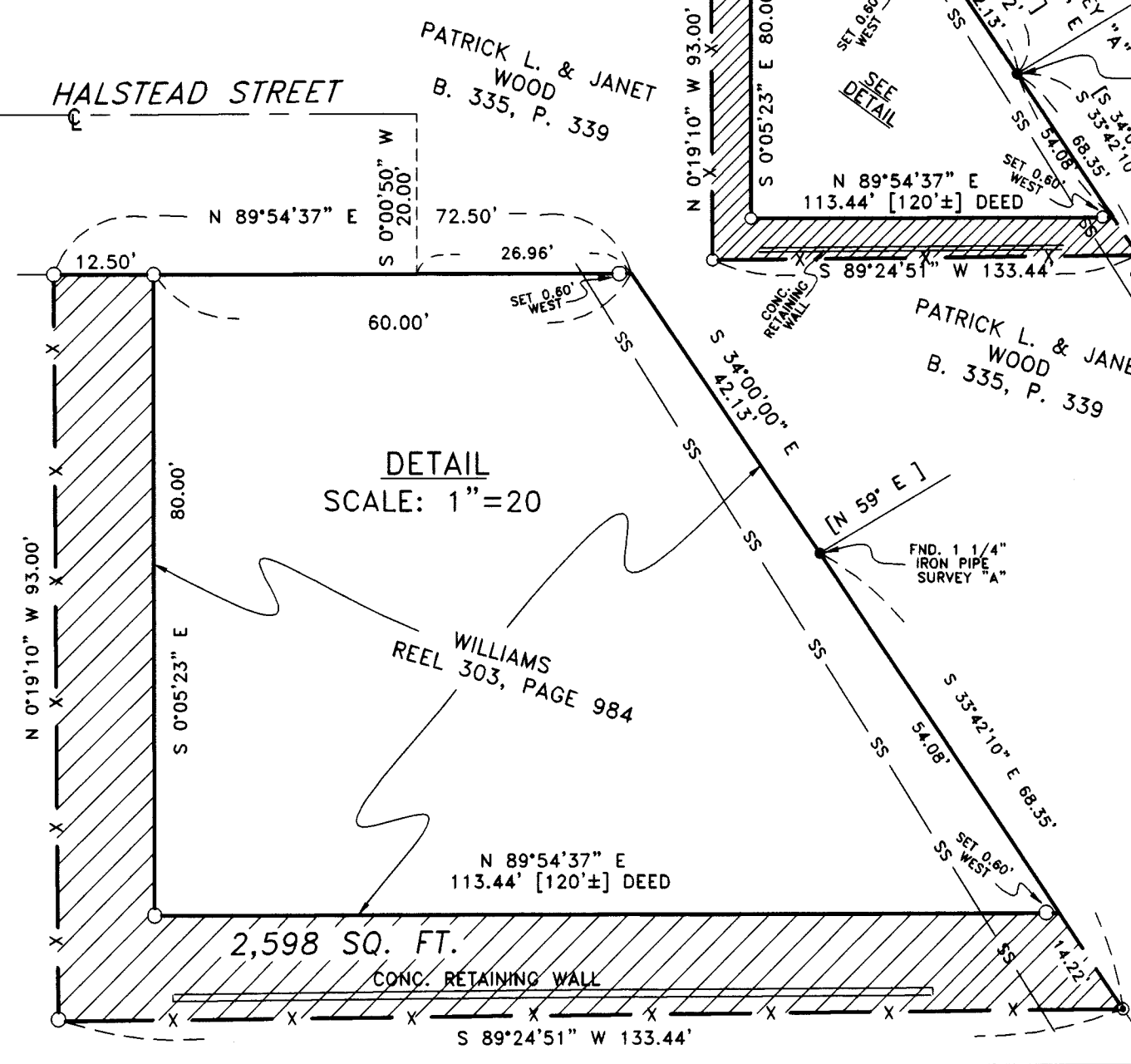
WILLIAMS' FENCE AND WALL ENCROACH ONTO THAT TRACT OF LAND BELONGING TO PATRICK AND JANET WOOD RECORDED IN A DEED IN BOOK 335, PAGE 339, UMATILLA COUNTY DEED RECORDS. THE NORTH LINE OF BOTH WILLIAMS' AND WOODS PARCELS ARE COINCIDENTAL WITH THE SOUTH RIGHT OF WAY LINE OF HALSTEAD STREET AS SHOWN ON "HALSTEAD'S SECOND ADDITION". WE RECOVERED SEVERAL MONUMENTS IN SAID SUBDIVISION AND CONFIRMED THEM WITH TIES TO FENCES TO REESTABLISH THE SOUTH LINE OF BLOCK 3. ALSO WE ACQUIRED A MAP FROM ERVIN WILLIAMS OF THE PROPERTY TO THE EAST OF THIS SURVEY WHICH WAS DONE IN 1955 BY AN UNREGISTERED PERSON WHICH SHOWED TIES TO SAID BLOCK 3. THAT SURVEY FITS VERY WELL WITH THE MONUMENTS WHICH WE FOUND.

WE WILL GIVE THE COUNTY SURVEYOR A COPY OF SAID UNRECORDED SURVEY FOR HIS RECORDS.

REGISTERED PROFESSIONAL LAND SURVEYOR

G. Dennis Edwards

OREGON
JULY 16, 1971
G. DENNIS EDWARDS
9 5 1
RENEWS 12/31/2003



SURVEY FOR BRAD WILLIAMS
IN SE 1/4, SEC. 16, T 3 N, R 29 E, W.M.,
CITY OF ECHO, UMATILLA COUNTY, OREGON
3/21/2002 JOB# S0202037
EDWARDS SURVEYING P.O. BOX 763
541-567-3336 HERMISTON, OREGON 97838
DRAWN BY NJF

RECEIVED BY
Umatilla County Surveyor
Date 5-02
Rec'd By *JK*
No. 02-103-B