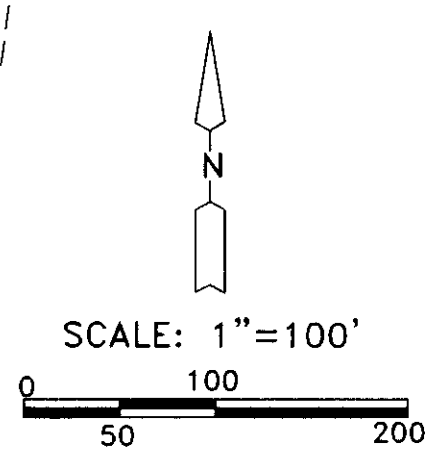
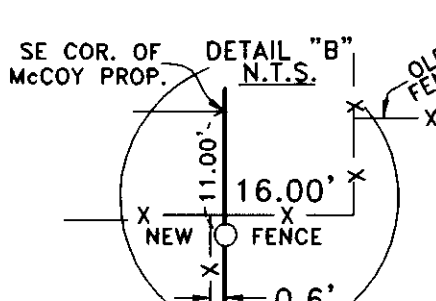
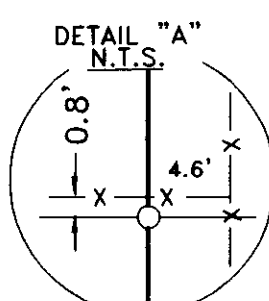


BEARING BASE WAGNER 2000 SURVEY FOR WOOD
S 0°28'37\"/>

SOUTH OTT ROAD (CO. RD. #1211)
S 0°28'37\"/>

DIAGONAL ROAD (HWY #207)
S 58°37'58\"/>



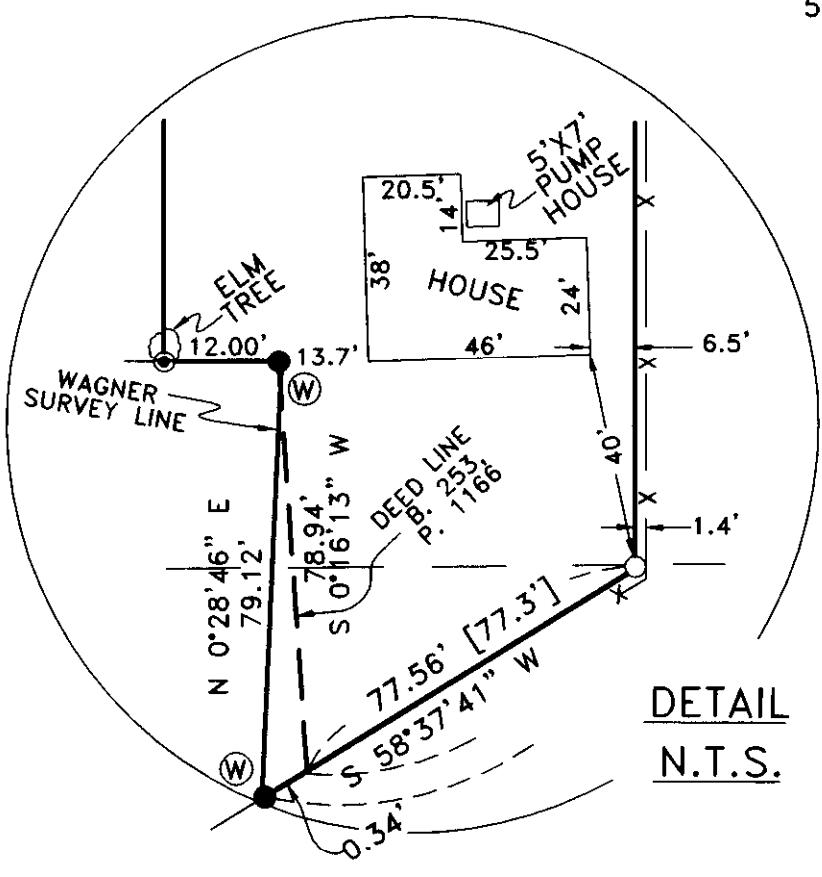
LINE TABLE

L1	S 0°16'13\"/>
----	---------------

NARRATIVE:

THE PURPOSE OF THIS SURVEY IS TO DO A FOUNDATION SURVEY ON THAT TRACT OF LAND DEEDED TO JUAN ALVAREZ AND RAQUEL MENDEZ ON REEL 253, PAGE 1166, UMATILLA COUNTY DEED RECORDS. I BASED THE BEARINGS ON A SURVEY DONE BY WAGNER IN 2000 FOR DAN WOOD. I USED WAGNER'S SURVEY TO ESTABLISH THE WEST LINE OF GOVERNMENT LOT 8 BUT FOUND AN IRON PIPE AT THE NE CORNER OF SAID LOT WHICH I BELIEVE WAS SET BY STRANIX IN 1949. I COMPUTED THE EAST AND SOUTH LINE OF SAID LOT 8 FROM THE SOUTHEAST CORNER OF LOT 11 AS SHOWN ON WAGNER'S SURVEY. I SET THE NE CORNER AND A POINT 11 FEET SOUTH OF THE SE CORNER OF THE LANDS OF DENNIS MCCOY TO SHOW THE FENCE ENCROACHMENT.

- LEGEND:**
- MONUMENTS FOUND AS NOTED
 - ⊙ 5/8\"/>



REGISTERED PROFESSIONAL LAND SURVEYOR
G. Dennis Edwards
OREGON
JULY 16, 1971
G. DENNIS EDWARDS
9 5 1
RENEWS 12/31/2003

LOT 8 GOVERNMENT LOTS

SURVEY FOR JUAN ALVAREZ, %C-21
IN SW 1/4, SEC. 6, T 4 N, R 29 E, W.M.,
UMATILLA COUNTY, OREGON
7/16/2002 JOB# S0207155
EDWARDS SURVEYING P.O. BOX 763
541-567-3336 HERMISTON, OREGON 97838
DRAWN BY NJF

RECEIVED BY
Umatilla County Surveyor
Date 8-02
Rec'd By [Signature]
No. 02-202-B