

NARRATIVE:

THE PURPOSE OF THIS SURVEY IS TO SET MONUMENTS ALONG THE LINE COMMON TO THAT TRACT OF LAND DEEDED TO JEWETT ON REEL 378, PAGE 503 AND THAT TRACT OF LAND DEEDED TO LANGLEY ON REEL 327, PAGE 136, TO SHOW ANY ENCROACHMENTS. I SURVEYED THAT LINE IN A 2007 FOR LANGLEY AND THE BEARINGS AND THIS SURVEY ARE BASED ON THAT 2007 SURVEY.

REGISTERED
PROFESSIONAL
LAND SURVEYOR

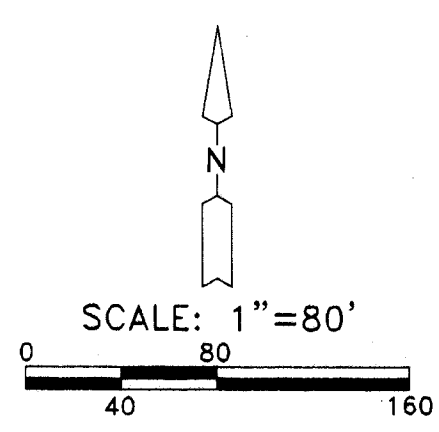
G. Dennis Edwards

OREGON
JULY 16, 1971
G. DENNIS EDWARDS
9 5 1
RENEWS 12/31/2009

CAPPERS CAMP
CAPPER
B. 280, P. 303
JEWETT
R. 378, P. 503

LANGLEY
R. 327, P. 136

- LEGEND:**
- MONUMENTS FOUND AS NOTED
 - SET 5/8"X30" IRON REBAR WITH PLASTIC CAP #951
 - ⊙ COMPUTED LOCATION FROM MY 2007 SUR. FOR LANGLEY



15
1/4
22

N 76°21'07" E 666.93'

FND. 5/8" I. REBAR
ME 2007 SURVEY
FOR LANGLEY

N 41°59'32" E 450.00'

ABANDONED RR TRACKS

FND. 1/2" I. REBAR
SHEA 1975 SURVEY
FOR REID

FND. 1/2" I. ROD
SHEA 1975 SURVEY
FOR REID

RECEIVED BY
Umatilla County Surveyor

Date: 10-08
Rec'd By: *KK*

SURVEY FOR JOYCE LANGLEY
IN S 1/2, SEC. 15, T 5 N, R 29 E,
W.M., UMATILLA COUNTY, OREGON
04/18/2008 JOB# S0709164B
EDWARDS SURVEYING P.O. BOX 763
541-567-3336 HERMISTON, OR 97838
DRAWN BY JMC

08-135-B