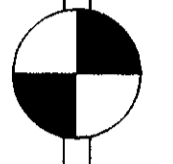
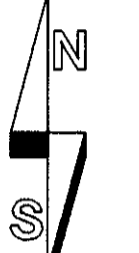
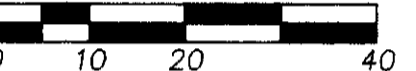


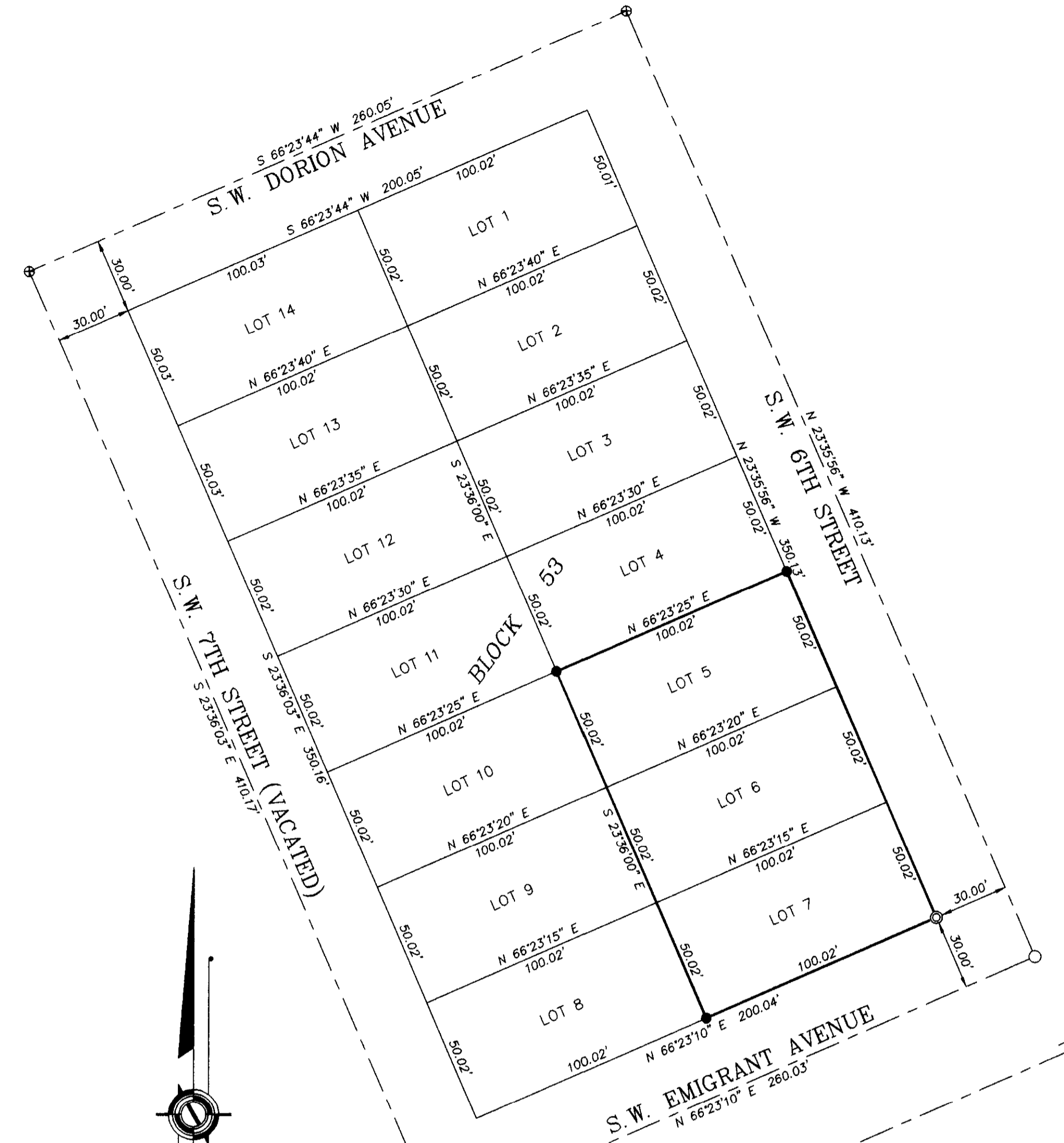
RECORD OF SURVEY

LEGEND

- - SET 5/8" BY 30" IRON REBAR WITH 1 1/2" YELLOW PLASTIC CAP MARKED "OR PLS 1106 WA PLS 17372".
- ⊙ - SET LEAD PLUG IN CONCRETE WITH BRASS WASHER STAMPED "PLS 1106" NAILED INTO LEAD PLUG.
- - FOUND 2 1/2" BRASS CAP, (CITY STREET INTERSECTION MONUMENT).
- ⊕ - FOUND RAILROAD SPIKE, (CITY MONUMENT).
- ⊕ - CALCULATED POINT ONLY, NOT SET OR FOUND.
- (XOX)R1 - RECORD DIMENSION, SURVEY NO. 95-34-B.
- (XOX)R2 - RECORD DIMENSION, SURVEY NO. 97-137-B.
- ⚡ - FIRE HYDRANT.
- DW - WATER METER.
- WV - WATER VALVE.
- SSM - SANITARY SEWER MANHOLE.
- SDM - STORM DRAIN MANHOLE.
- CB - CATCH BASIN.
- PP - POWER POLE.
- GM - GAS METER.
- TM - TELEPHONE MANHOLE.
- - SIGN AS NOTED.
- 10"SS - SANITARY SEWER, SIZE INDICATED IF KNOWN.
- 16"ST - STORM SEWER, SIZE INDICATED IF KNOWN.
- 12"W - WATER LINE, SIZE INDICATED IF KNOWN.
- 2"G - NATURAL GAS LINE, SIZE INDICATED IF KNOWN.
- OHP - OVERHEAD POWER LINE.
- OTL - OVERHEAD TELEPHONE LINE.
- X 1124.5 T.C. - INDICATES TOP OF CURB ELEVATION.


 VERTICAL DATUM
 MEAN SEA LEVEL, CITY OF PENDLETON DATUM


 SCALE: 1"=20 FEET




CONTROL DIAGRAM AND BLOCK 53 DETAIL
NO SCALE

NOTES:

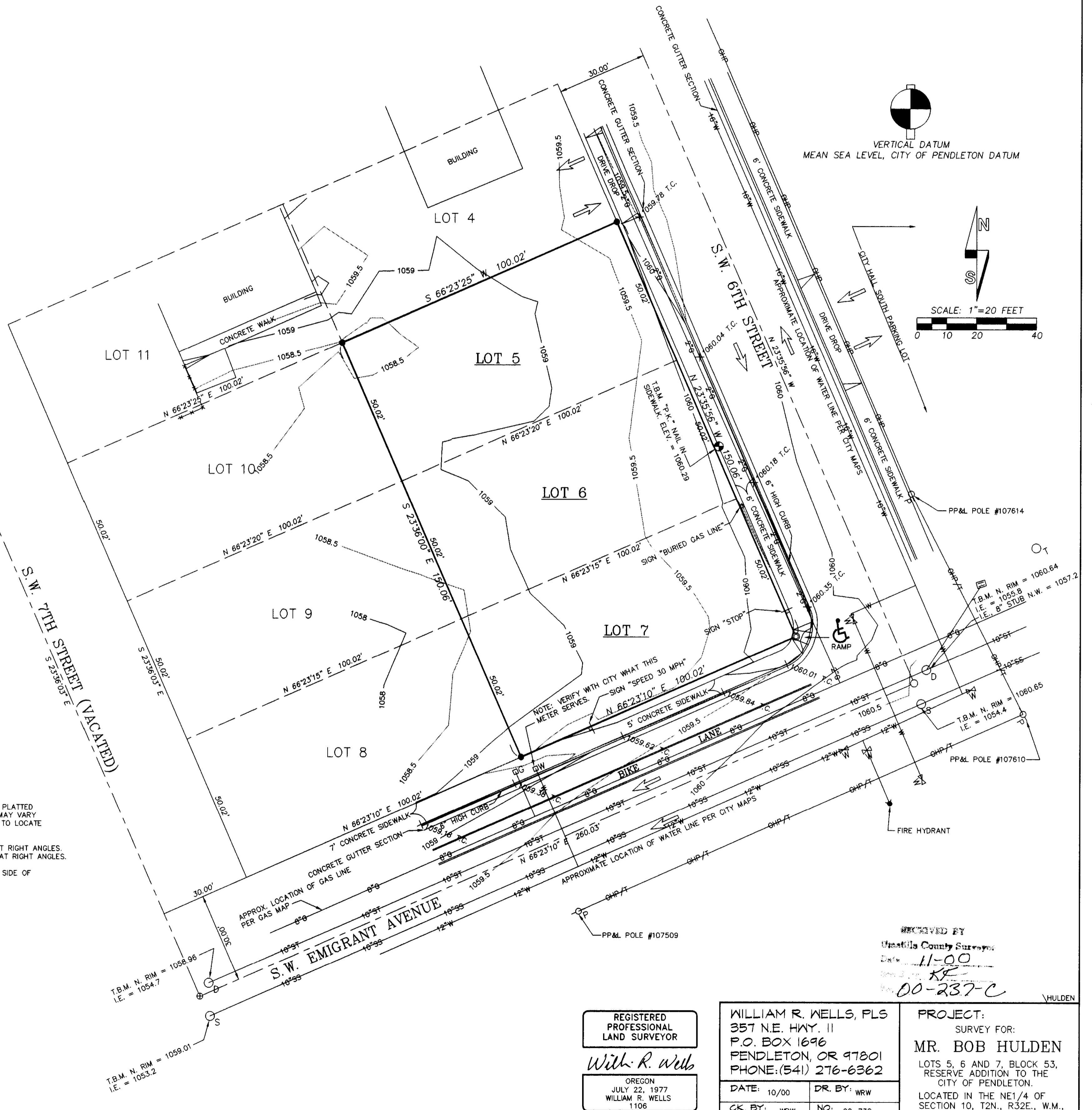
1. LOT LINES SHOWN IN BLOCK 53 ARE BASED ON LOT LINES PLATTED ON THE RESERVE ADDITION PLAT. ACTUAL OWNERSHIP LINES MAY VARY FROM PLATTED LOT LINES. THE PURPOSE OF THIS SURVEY IS TO LOCATE THE EXTERIOR BOUNDARY OF LOTS 5, 6 AND 7, BLOCK 53.
2. RECORD PLATTED LOT DIMENSIONS ARE 50 BY 100 FEET AT RIGHT ANGLES. RECORD PLATTED BLOCK DIMENSIONS ARE 350 BY 200 FEET AT RIGHT ANGLES.
3. STREET RIGHT-OF-WAYS ARE 60 FEET, 30 FEET ON EACH SIDE OF STREET CENTERLINE.

NARRATIVE

THIS SURVEY WAS MADE AT THE REQUEST OF BOB HULDEN TO DETERMINE THE BOUNDARY OF LOTS 5, 6 AND 7, BLOCK 53, RESERVE ADDITION, AND TO PROVIDE A TOPOGRAPHIC SURVEY OVER LOTS 5, 6 AND 7.

CONTROL FOR THE SURVEY IS BASED ON STREET INTERSECTION MONUMENTS FOUND AND NOTED ON THE CONTROL DIAGRAM.

THE SURVEY WAS MADE WITH A TWO PERSON CREW USING A SOKKIA SET 4B FIVE SECOND TOTAL STATION BY A COMBINATION OF CLOSED TRAVERSES AND RADIAL TIES. ELEVATIONS ARE BASED ON THE CITY OF PENDLETON VERTICAL DATUM.



REGISTERED
 PROFESSIONAL
 LAND SURVEYOR

William R. Wells
 OREGON
 JULY 22, 1977
 WILLIAM R. WELLS
 1108
 RENEWS 6/30/02

WILLIAM R. WELLS, PLS
 357 N.E. HWY. 11
 P.O. BOX 1696
 PENDLETON, OR 97801
 PHONE: (541) 276-6362
 DATE: 10/00 DR. BY: WRW
 CK. BY: WRW NO: 00-738

RECEIVED BY
 Umatilla County Surveyors
 Date: 11-00
 00-237-C
 PROJECT:
 SURVEY FOR:
MR. BOB HULDEN
 LOTS 5, 6 AND 7, BLOCK 53,
 RESERVE ADDITION TO THE
 CITY OF PENDLETON
 LOCATED IN THE NE 1/4 OF
 SECTION 10, T2N, R32E, W.M.,
 UMATILLA COUNTY, OREGON.