

SURVEYOR'S NARRATIVE:

THE PURPOSE OF THIS SURVEY IS TO DO A BOUNDARY LINE ADJUSTMENT TO MOVE THE SOUTH LINE OF TAX LOT 200 MAP 4N 28 16 A DISTANCE OF 200 FEET NORTH AND TO COMBINE THAT 200 FEET WITH TAX LOT 500 AS SHOWN. ALSO TO COMBINE TAX LOT 100 MAP 4N 28 17A WITH THE NORTHERLY PORTION OF TAX LOT 200 FOR THE PENDING SALE OF THE NORTHERLY 24.72 ACRES OF THAT TRACT OF LAND DEEDED TO ROGER BOUNDS IN BOOK 336, PAGE 270, UMATILLA COUNTY DEED RECORDS.

THE SOUTH LINE OF TAX LOT 200 WAS SURVEYED BY HARRIS AND BUSSARD IN 1963. THEY ALSO SURVEYED THE NORTH AND WEST LINES OF TAX LOT 500. THEY MADE A CHAINING (MEASURING) ERROR WHEN CROSSING THE RIVER AND ALL OF THE PARCELS THEY SURVEYED IN THE SOUTHWEST QUARTER OF THE NORTHWEST QUARTER OF SECTION 16 WERE STAKED 33.4 FEET DIFFERENT FROM THE WAY THEY WERE DESCRIBED. THE DEEDS CAN BE CORRECTED LATER OR BOUNDARY LINE ADJUSTMENTS DONE TO CORRECT THAT PROBLEM.

I CONDUCTED THIS SURVEY IN REAL TIME KINEMATIC WITH A TOPCON HIPER+ G.P.S. AND THE BEARINGS ARE TRUE AND BASED ON MAP 10 OF MY 2004 G.I.S. SURVEY OF HERMISTON FOR UMATILLA COUNTY.

THE EAST LINE OF THIS TRACT IS THE CENTER LINE OF THE "I" CANAL. THE WEST LINE IS THE EAST LINE OF THAT TRACT OF LAND DEEDED TO THE STATE OF OREGON IN BOOK 324, PAGE 396. THERE IS A FENCE BUILT ALONG THE EAST LINE OF SAID STATE OF OREGON LAND AND THE ANGLES IN THE FENCE GENERALLY MATCH THE ANGLES IN THE DEED WHICH WOULD INDICATE THAT SOMEONE MAY HAVE SURVEYED IT. I COULD FIND NO REGISTERED SURVEY OF THAT LINE NOR ANY MONUMENTS ALONG IT. THE FENCE DOES NOT MATCH THE DEED BY 12 FEET AT THE NORTH END WHICH IS ONLY ABOUT 100 FEET SOUTH OF THE SECTION CORNER. THAT INDICATES SAID LINE WAS NOT SURVEYED CORRECTLY. I STAKED SAID EAST LINE OF THE STATE PROPERTY BY DEED BEARINGS AND DISTANCES. I ROTATED THE DEED BEARINGS 0° 01' 20" TO MATCH MY BEARING OF THE SECTION LINE.

REGISTERED
PROFESSIONAL
LAND SURVEYOR

G. Dennis Edwards

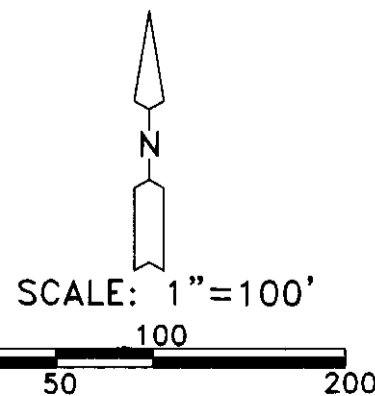
OREGON
JULY 16, 1971
G. DENNIS EDWARDS
9 5 1
RENEWS 12/31/2009

LINE TABLE

L-1	N 15°13'32" W 55.75'
L-2	N 36°48'04" W 21.84'
L-3	N 61°49'27" W 39.36'
L-4	N 69°50'44" W 71.12'
L-5	N 56°46'48" W 69.09'
L-6	N 33°30'14" W 48.92'
L-7	N 11°10'55" W 65.72'
L-8	N 6°04'33" E 60.62'
L-9	N 19°05'15" E 59.04'
L-10	N 35°45'33" E 72.18'
L-11	N 47°42'09" E 108.67'
L-12	N 32°37'08" E 121.43'
L-13	N 37°18'45" E 55.02'
L-14	N 34°02'11" E 51.84'
L-15	N 25°38'59" E 37.05'
L-16	N 4°31'03" E 28.96'
L-17	N 8°54'04" W 61.98'
L-18	N 2°56'52" E 137.51'
L-19	N 5°25'08" W 60.00'
L-20	N 73°05'12" E 40.58'
L-21	N 4°46'14" E 32.21'
L-22	N 14°27'27" E 37.11'
L-23	N 14°27'27" E 84.27'
L-24	N 2°26'06" W 118.22'

LEGEND:

- FOUND MONUMENTS AS NOTED OR
 - ▲ FND. 1/2" I. REBAR BUSSARD 1963 SURVEY FOR MARKS-BOUNDS
 - SET 5/8"x30" IRON REBAR WITH PLASTIC CAP #951
 - ⊙ COMPUTED LOCATION
- [000] OF RECORD, DEEDS
 (000) OF RECORD, HARRIS & BUSSARD 1963 SURVEY FOR MARKS-BOUNDS
 (000)R OF RECORD, ROBERTS 1997 SURVEY FOR THOMAS-QUICK
 (000)F OF RECORD, FERGUSON PART. PLAT #1998-30
 (000)E OF RECORD, MY 2002 PLAT OF "ALLELUIA HEIGHTS"



SURVEY FOR ROGER BOUNDS
IN NW 1/4, NW 1/4, SEC. 16, &
NE 1/4, NE 1/4, SEC. 17, T 4 N, R 28 E,
W.M., UMATILLA COUNTY, OREGON
8/04/2008 JOB# S0805069
EDWARDS SURVEYING P.O. BOX 763
541-567-3338 HERMISTON, OREGON 97838
DRAWN BY JMC

RECEIVED BY
Umatilla County Surveyor
Date 10-08
Rec'd by JK
No. 08-139-C