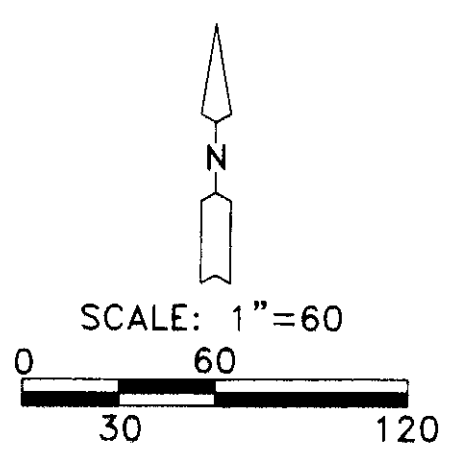


**SURVEYOR'S NARRATIVE:**  
 THE PURPOSE OF THIS SURVEY IS TO ESTABLISH THE CORNERS OF THE FOLLOWING DESCRIBED TRACT IN PREPARATION FOR A REPLAT. LOTS 11 THROUGH 16, BLOCK 11, AND LOTS 1 THROUGH 12, BLOCK 12 OF THE "SUBDIVISION OF LOT "B" OF THE TOWN OF HERMISTON."  
 THE PLAT OF HERMISTON WAS DONE IN 1904 AND THE SUBDIVISION OF LOT "B" WAS DONE IN 1907. NO ORIGINAL MONUMENTS HAVE BEEN FOUND. I RELIED HEAVILY ON OLD BUILDING CORNERS AND ALSO ON MONUMENTS WHICH I HAD PREVIOUSLY SET. I ALSO BELIEVE THE MONUMENT AT THE WEST QUARTER CORNER OF SECTION 11 IS NOT IN THE SAME LOCATION AS IT WAS IN 1904. THAT IS WHY THE NORTH LINE OF BLOCK 12 IS ABOUT 2 FEET SHORT OF THE ORIGINAL DISTANCE.  
 I USED SAID QUARTER CORNER AND AN IRON REBAR ON THE NORTH LINE OF BLOCK 10 TO ESTABLISH THE NORTH LINE OF THE SUBDIVISION OF LOT "B". I THEN INTERSECTED THAT LINE WITH THE WEST LINE OF NE 2ND STREET TO ESTABLISH THE NE CORNER OF BLOCK 12. THAT FIT EVERYTHING I TIED REASONABLY WELL SO I PROPORTIONED THE SET CORNERS FROM THERE.  
 THIS SURVEY WAS CONDUCTED WITH A TOPCON HIPER + G.P.S. IN REAL TIME AND THE BEARINGS ARE TRUE BASED ON THE 1984 WORLD GRID SYSTEM.

REGISTERED  
 PROFESSIONAL  
 LAND SURVEYOR  
*G. Dennis Edwards*  
 OREGON  
 JULY 16, 1971  
 G. DENNIS EDWARDS  
 9 5 1  
 RENEWS 12/31/2011



- LEGEND:**
- FOUND MONUMENTS AS NOTED
  - ⊙ FOUND CONC. NAIL, 0.10' NORTH OF LOT CORNER. NAPOLITANO 1988 SURVEY FOR CITY
  - ⊙ COMPUTED LOCATION
  - SET 5/8"X30" IRON REBAR WITH PLASTIC CAP #951
  - △ SET RR SPIKE STAMPED WITH #951
  - SET CONC. NAIL WITH WASHER 951
  - ┌┐ BUILDING CORNERS
  - (000) OF RECORD, 1907 PLAT OF "SUBDIVISION OF LOT "B" OF THE TOWN OF HERMISTON" OR 1904 PLAT OF THE TOWN OF HERMISTON
  - ▨ NORTH 1/2 OF VACATED ALLEY TO BE REDEDICATED ON FUTURE REPLAT

RECEIVED BY  
 Umatilla County Surveyor  
 Date 11-11  
 Rec'd By KA  
 No. 11-120-C

SURVEY FOR CITY OF HERMISTON & HERMISTON SCHOOL DISTRICT IN BLOCKS 11 & 12, OF "SUBDIVISION OF LOT "B" OF THE TOWN OF HERMISTON," IN NW 1/4, SW 1/4, SEC. 11, T 4 N, R 28 E, W.M., UMATILLA COUNTY, OREGON 8/30/2011 JOB #S1105037 EDWARDS SURVEYING P.O. BOX 763 541-567-3336 HERMISTON, OREGON 97838 DRAWN BY JMC