

OREGON CORNER RESTORATION FORM

Section 6,31 Township 3N,4N
County Umatilla Date: 12/31/08

Range 29E

Corner Designation: 3N29A3

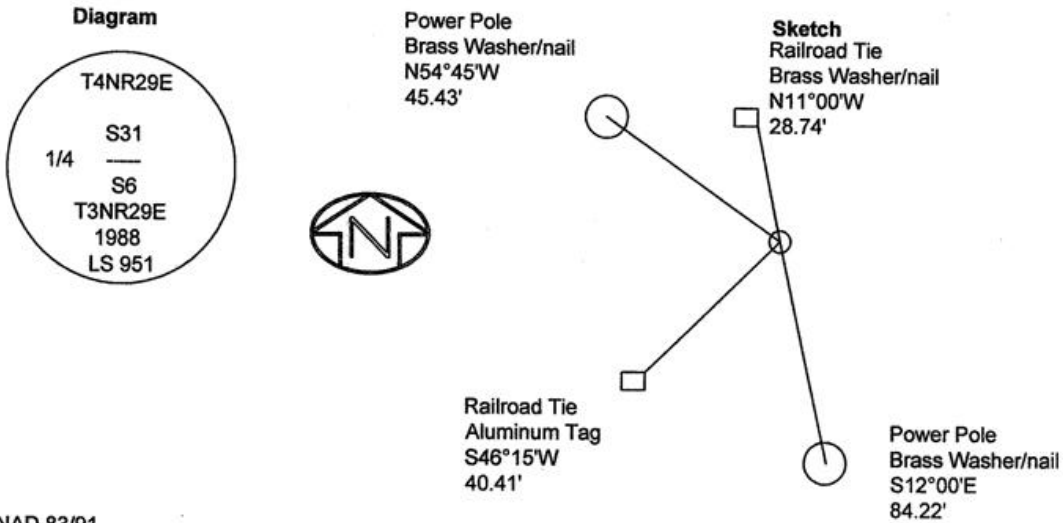
- Condition Report Only
- Not Found
- Remonumented
- Unrecorded
- Surveyed In
- Referenced Out

Previous Renewals / Surveys, etc.

Originally Surveyed by Gates in 1859. He set a post in a mound of earth.
 In 1980 Krumbain set a brass cap in place of a wagon axle, see survey S-158.
 In 1988 Edwards set a 2 1/2" brass cap in concrete 8" deep with a railroad spike in the bottom.
 In 1995 Edwards found a 2 1/2" B.C. in concrete.
 In 2002 Primm found a 2 1/2" B.C.
 In 2002 Haddock found a 2 1/2" B.C. and a RR Spike.

Monuments and Accessories Found: (Condition and Source)

An aluminum tag #951 on a railroad tie fence corner lies S 46°15' W, 40.41'.
A 2 1/2" B.C.



NAD 83/91
OREGON STATE PLANE NORTH
INTERNATIONAL FEET

N771865.14
E8524609.72

LAT - 45° 46' 36.75853" N LON - 119° 14' 09.44030" W

Monument (s) Set (Procedures and Description)

None.

References Set:

A brass washer #43406 and nail on a power pole lies N 54°45' W, 45.43'.
 A brass washer #43406 and nail on a railroad tie fence post lies N 11°00' W, 28.74'.
 A brass washer #43406 and nail on a power pole lies S 12°00' E, 84.22'.

Location and Comments

The corner is located at the intersection of Echo Meadows Rd. and Standfeild Meadows Rd.

Compass Declination
17° E

Surveyors Seal

REGISTERED
PROFESSIONAL
LAND SURVEYOR

Robert Douglas English
 OREGON
 JANUARY 11, 2005
 ROBERT DOUGLAS ENGLISH
 43406LS

RECEIVED BY:

Date: 1-11
 Rec'd By: KK
 No. 11-008-R

Firm / Agency

Survey One, LLC.
 P.O. Box 382
 Pendleton, OR 97801
 (541) 276-2055

RENEWAL DATE: 12/31/09