

OREGON CORNER RESTORATION FORM

Section: 32, 33 Township: 3N Range: 33E
 County: Umatilla Date: 10/7/2011

Corner Designation: 3N33X09

Quarter corner common to Sections 32, 33, T3NR33E.

	Condition Report Only
X	Not Found
X	Remonumented
	Unrecorded
X	Surveyed In
X	Referenced Out

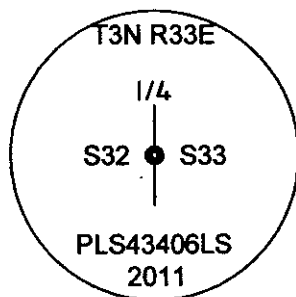
Previous Renewals / Surveys, etc.

Originally surveyed by Chaplin in 1864. He set a post in a mound of earth with charred stake and pits.
 In 1871 Moody set a post and made a mound of earth.
 In 1887 Currin and Noland buried a charred stake and made a mound of earth.
 In 1902 Macomber found a charred stake and set a 20" x 16" x 16" stone in Private Survey #135 as recorded in Book #1, pp. 458, 459.

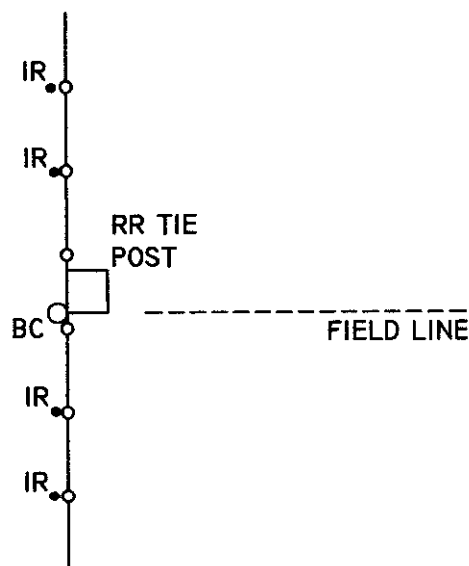
Monuments and Accessories Found: (Condition and Source):

None.

Diagram



Sketch



NAD 83/91
 OREGON STATE PLANE NORTH
 INTERNATIONAL FEET

N745009.31
 E8660909.34

Monument(s) Set (Procedures and Description):

A 1 1/8" x 30" galvanized iron pipe with 2 1/2" brass cap, stamped as shown above, 0.3' below the surface. The corner was reestablished at the intersection of the line held between corners to the North and South and the projection of an old field line.

References Set:

- A 5/8" x 30" iron rebar w/RPC #43406 lies N 2° 30' W, 32.83', at a steel fence post.
- A 5/8" x 30" iron rebar w/RPC #43406 lies N 3° 40' W, 11.73', at a steel fence post.
- A 5/8" x 30" iron rebar w/RPC #43406 lies S 3° 20' E, 18.06', at a steel fence post.
- A 5/8" x 30" iron rebar w/RPC #43406 lies S 1° 10' E, 36.97', at a steel fence post.

Location and Comments:

The corner is located 1/2 mile South and 1 mile West of the intersection of South Market Rd. and Hwy. 11.

Compass Declination

17° E

Surveyors Seal

REGISTERED
 PROFESSIONAL
 LAND SURVEYOR

Robert D. English
 OREGON
 JANUARY 11, 2005
 ROBERT DOUGLAS ENGLISH
 43406LS

RENEWAL DATE: 12/31/13

RECEIVED BY:

Date: 7/10/2012
 Rec'd By: S. Oles
 No. 12-094-C

Firm / Agency

Survey One, LLC.
 P.O. Box 382
 Pendleton, OR 97801
 (541) 276-2055